



Rev. 201908



24G Slimlink SAS connector




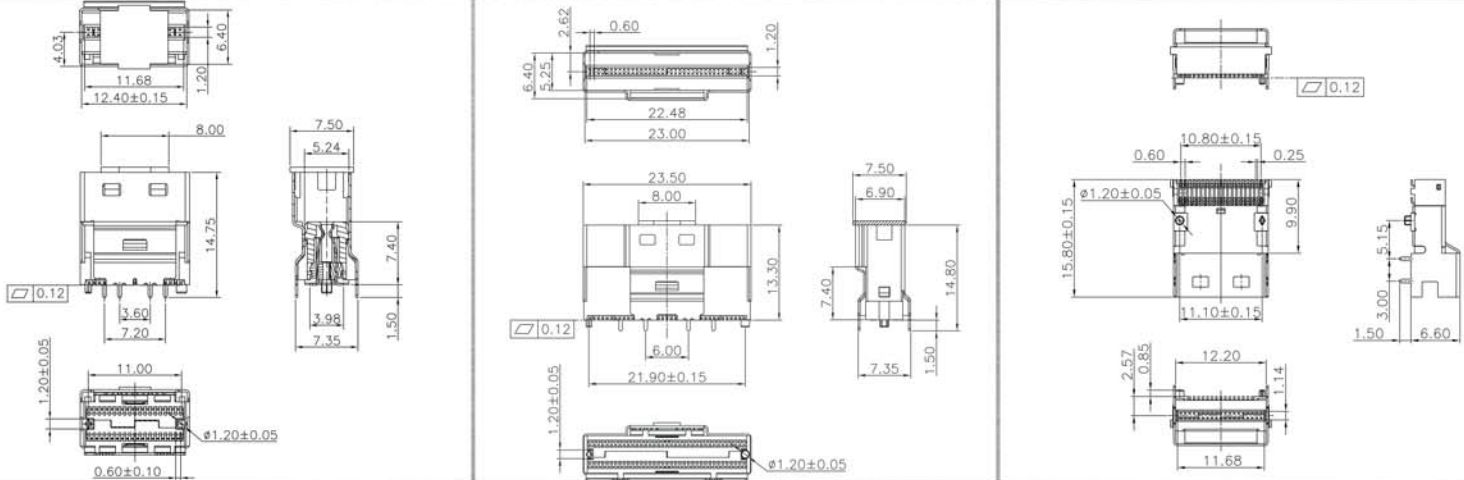
Designed for unshielded, internal, or external I/O connectors
High-speed, next-generation SAS-4 interface
Resonance dampening feature
Supports blade and mainstream server designs
Supports many assembly options

www.greenconn.com

Performance targeted for next-gen SAS 4.0 and PCIe Gen 4

24G Slimlink SAS connector

Application / Data Center Networking
Enterprise Networking
Servers & RAID Storage

Part No.	 <p>(4X) CZCC202 Series</p>	 <p>(8X) CZCC202 Series</p>	 <p>(4X) CZZD202 Series</p>
Patent No.	US 10,128,620 B1		
Specifications	Current Rating:0.5Amp Insulation Resistance:1000MΩ Min. Dielectric Withstanding Voltage:300VDC Contact Resistance:Δ20mΩ Max. Operating Temperature:-40°C to +105°C		
Materials	Contact Material:Phosphor Bronze Insulator Material:High Temperature Thermoplastic, UL 94V-0 LCP(Nylon) or the equivalent material		
Drawing	 <p>The drawing section contains three sets of technical drawings for the CZCC202 Series (4X), CZCC202 Series (8X), and CZZD202 Series (4X) connectors. Each set includes top, side, and cross-sectional views with detailed dimensions in millimeters. Key dimensions include overall length, contact pitch, and contact diameter. Surface finish requirements are indicated by a 0.12 μm Ra symbol.</p>		



For more information about SAS 4.0 connector, contact our sales or visit our website.

