

Contact us



Taiwan

Greenconn Corporation

5F, No. 657-3, Zhongzheng Road, Xinzhuang District,
New Taipei City 242
+ 886 - 2 - 2209 1343
+ 886 - 2 - 2901 9811

China

Greenconn Technology (Ganzhou) Ltd.

The Dongshan Industrial District, Nankang,
Ganzhou, Jiangxi Province
+ 86 - 797 - 6635 510
+ 86 - 797 - 6635 653

Kunshan Greenconn Technology Co., Ltd.

No.18-2 Hong-Yang South Road, Bacheng Town,
Kunshan City, Jiangsu Province
+ 86 - 512 - 5782 5636
+ 86 - 512 - 5031 6595

Greenconn Technology (Shenzhen) Co., Ltd.

No.1 NiuJiao Road, Yanchuan Community, Yanluo Street,
Baoan District, Shenzhen City, Guangdong Province
+ 86 - 755 - 2707 0050/1
+ 86 - 755 - 2707 0056



www.greenconn.com
sales@greenconn.com



INDUSTRIAL AUTOMATION

INTELLIGENT TRANSPORTATION SYSTEMS

INDUSTRIAL SERVERS & STORAGE

25G high speed high power connector

Industry 4.0

BIG DATA

EMBEDDED COMPUTING

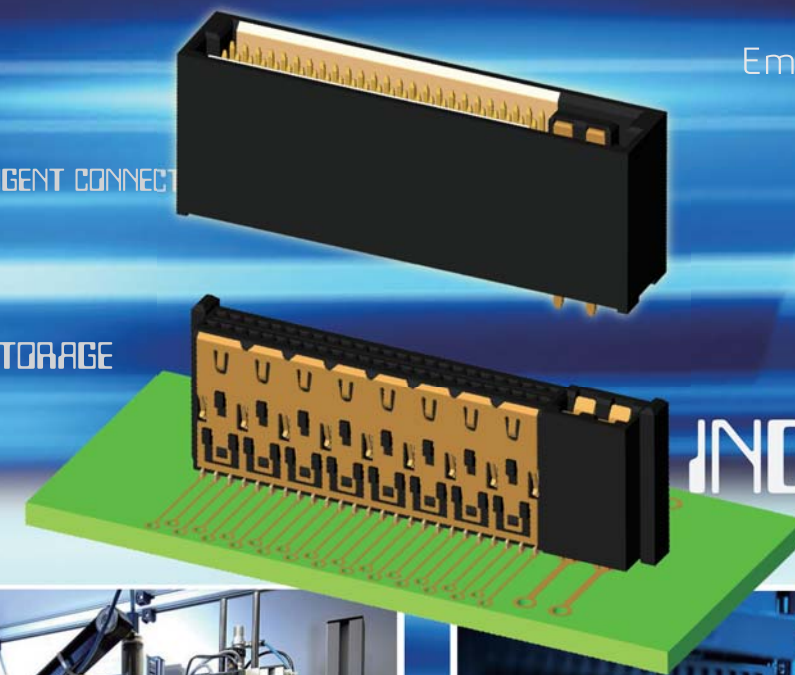
BIG DATA

Embedded Computing

INTELLIGENT CONNECTIVITY

INDUSTRIAL SERVERS & STORAGE

INDUSTRY 4.0



25G high speed / high power connector



SPECIFICATION & MATERIALS

MATING

HIGH FREQUENCY CHARACTERISTICS



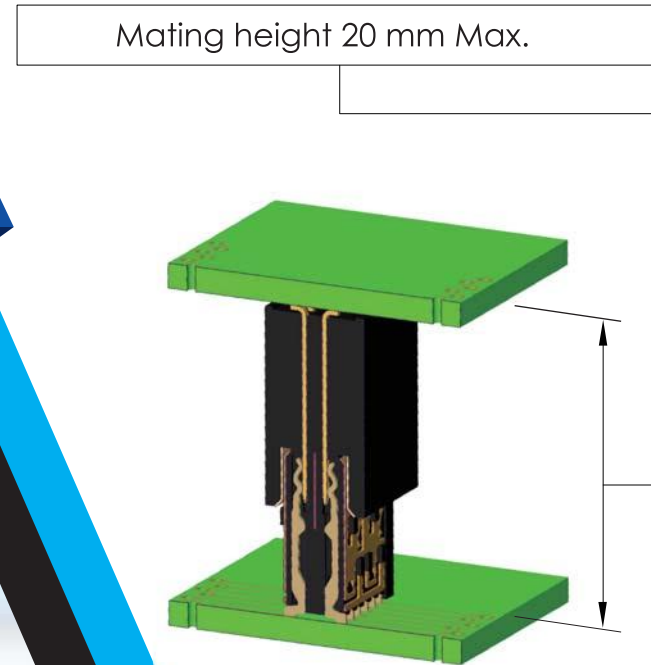
Customizable Specifications

2 rows / 50 pins Max

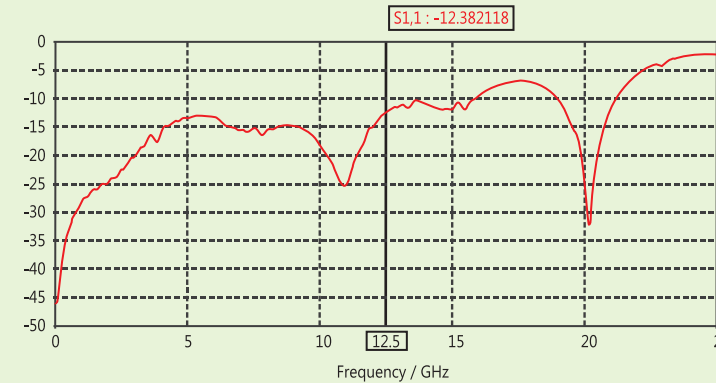
Greenconn provides a high functional connector with capacity of 25G high speed and high power. This connector is applicable in the boards of large servers, data switches, and industrial PCs.

Dual contacts design is adopted in signal pins with higher reliability, which passes the vibration test in the condition of 10~2000Hz 20G (IEC60512 Test 6D). Transmission speed is able to reach 25G/bps in single channels.

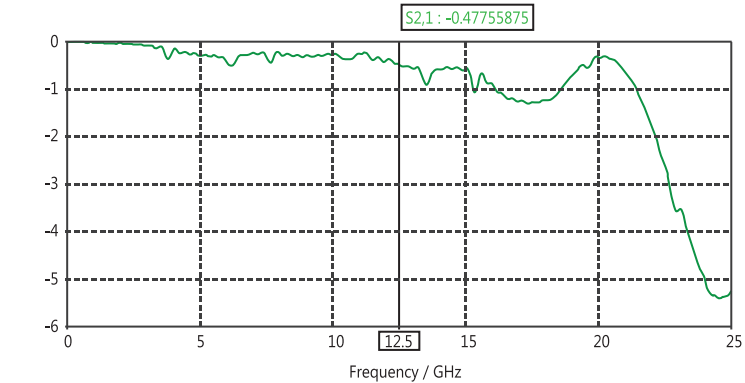
Power pins with high conductivity material are capable of transmitting 20 Amps Max. per pin. (Any customization is also available)



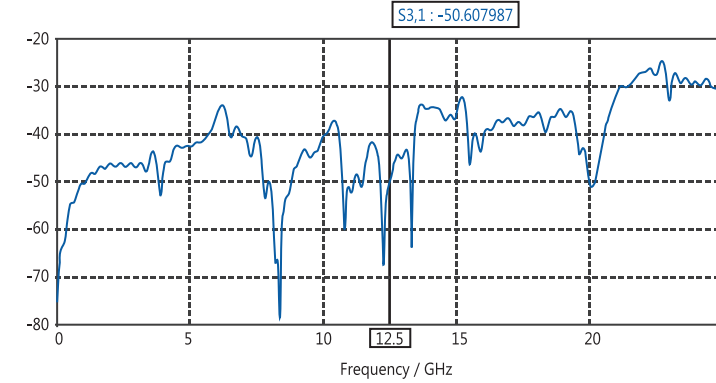
Return Loss



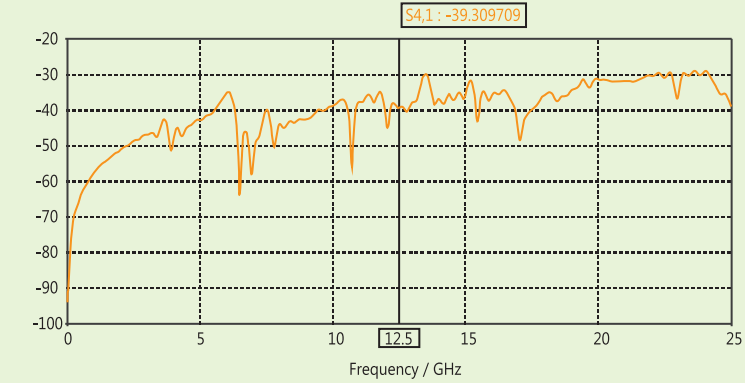
Insertion Loss



Crosstalk NEXT

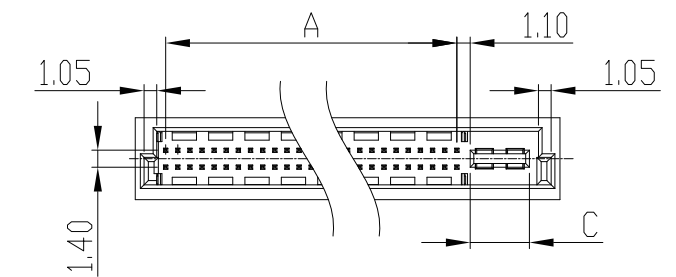
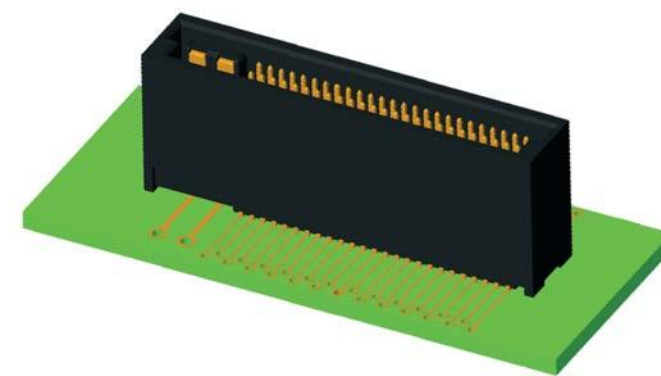
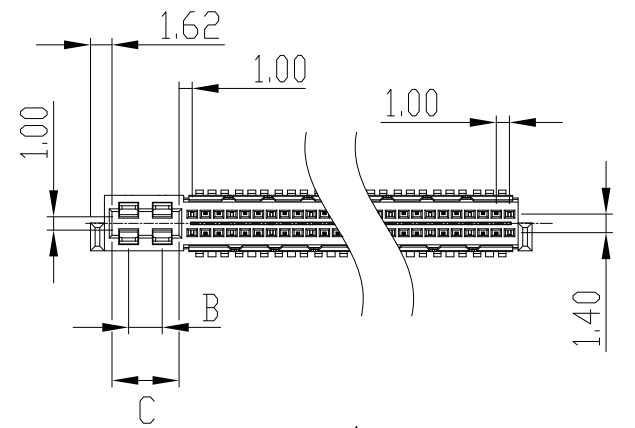
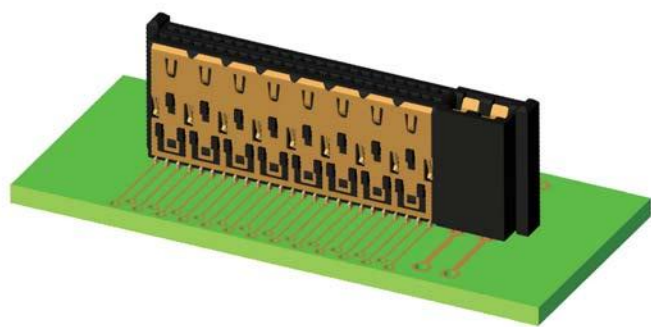


Crosstalk FEXT



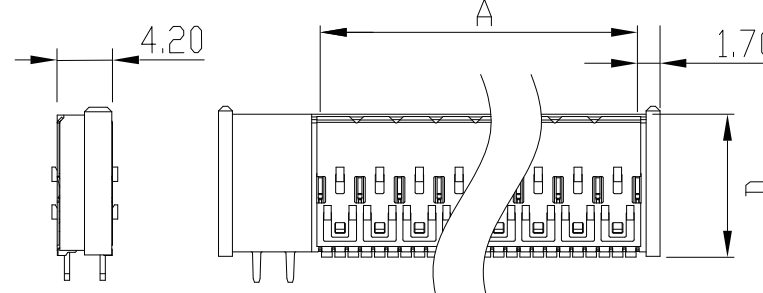
FEMALE

MALE



Dimension Information

- A = 3mm~49mm
- B = 2.54mm~7.62mm
- C = B * Pin number
- D = 10.80 Max.



Dimension Information

- A = 3mm~49mm
- B = 2.54mm~7.62mm
- C = B * Pin number - 0.20
- D = 13.25 Max.

