

**TYPE :** PVAJP 16-0,33/100 AC

**Standard:** IEC 61071; EN 61881

#### CHARACTERISTICS

Capacitance	$C_N$	100 $\mu\text{F}$	$\pm 5\%$
Voltage AC rms (sinusoidal)	$U_{\text{RMS}}$	330 V	
Voltage AC	$U_{\text{AC}}$	460 $V_{\text{AC}}$	
Non-recurrent surge voltage	$u_s$	1 125 V	
Maximum RMS Current	$I_{\text{max}}$	26 A	
Maximum Peak Current	$\hat{i}$	1,2 kA	
Maximum Surge Current	$i_s$	3,4 kA	
Series Resistance	$R_S$	1,4 m $\Omega$	
Dielectric Dissipation Factor	$\tan\delta_0$	$2 \times 10^{-4}$	
Self Inductance	$L_S$	70 nH	

#### THERMAL CONDITIONS

Case Temperature	$\Theta_{\text{min}}/\Theta_{\text{max}}$	-40/+85 $^{\circ}\text{C}$
Maximum Hotspot Temperature	$\Theta_{\text{HS}}$	85 $^{\circ}\text{C}$
Storage Temperature	$\Theta_{\text{storage}}$	-40/+85 $^{\circ}\text{C}$
Thermal Resistance ( $\Theta_{\text{HS}}-\Theta_{\text{case}}$ )	$R_{\text{th}}$	4,8 K/W

#### SERVIS LIFE

Lifetime Expectancy	150 000 h
at Hotspot Temperature	65 $^{\circ}\text{C}$
Failure Rate	100 FIT

#### DIMENSIONS

Diameter	D	65 mm
Height	H	150 mm
Terminal Height		30 mm
Terminal	M	M6
Creepage Distance		26 mm
Air Clearance		19 mm
Weight	m	0,6 kg

#### TORQUES

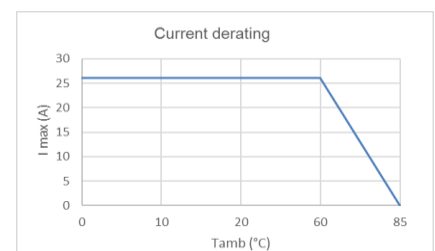
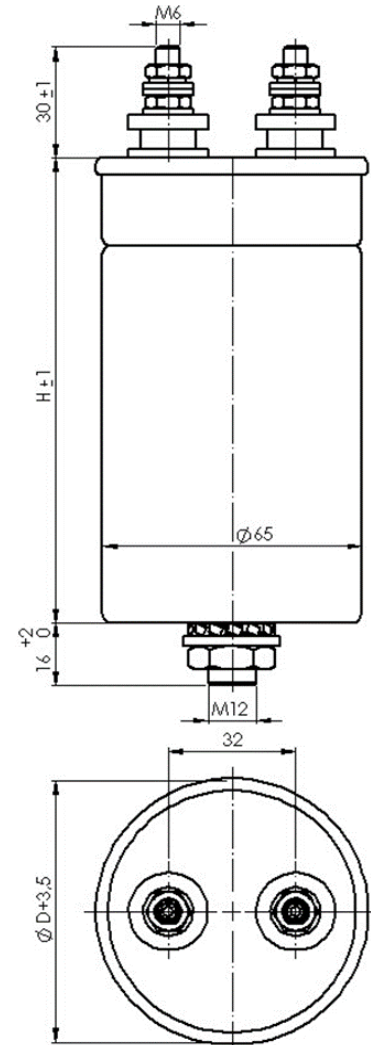
Max. Torque for M6	4 Nm
Max. Torque for M12 - bolt	7 Nm

#### TEST DATA ( Routine Test )

Test Voltage between Terminals	$U_{\text{T/T}}$	495 $V_{\text{AC}}/10\text{s}$
Test Voltage Terminals-Case	$U_{\text{T/C}}$	3 000 $V_{\text{AC}}/10\text{s}$

#### DESIGN

Dielectrics	MKP metallized polypropylene capacitor, Self Healing system
Mechanical construction	Aluminium can, metal cover, PCB and halogen free, Filling - semidry resin Without discharge resistors
Safety devices	Overpressure disconnecter - space for safety device + 15 mm



Capacitors for Power Electronics		Sheet	1 of 1	Name	Date
<b>PVAJP 16-0,33/100 AC</b>		DRW. No.	<b>3BC2329</b>	DRAWN	V.F. 22.02.2021
				APPV'D	
	ZEZ SILKO, s.r.o. Pod Černým lesem 683 564 01 ŽAMBERK Czech Republic	tel : +420 465 673 111 fax :+420 465 612 319 e-mail: zez@zez-silko.cz <a href="http://www.zez-silko.cz">http://www.zez-silko.cz</a>	MODIFICATION		INDEX