

TYPE : PVAJP 16-0,33/150 AC

Standard: IEC 61071; EN 61881

CHARACTERISTICS

Capacitance	C_N	150 μF	$\pm 5\%$
Voltage AC rms (sinusoidal)	U_{RMS}	330 V	
Voltage AC	U_{AC}	460 V _{AC}	
Non-recurrent surge voltage	u_s	1 125 V	
Maximum RMS Current	I_{max}	26 A	
Maximum Peak Current	\hat{i}	1,9 kA	
Maximum Surge Current	i_s	3,9 kA	
Series Resistance	R_S	1,8 m Ω	
Dielectric Dissipation Factor	$\tan\delta_0$	2×10^{-4}	
Self Inductance	L_S	70 nH	

THERMAL CONDITIONS

Case Temperature	$\Theta_{\text{min}}/\Theta_{\text{max}}$	-40/+85 °C
Maximum Hotspot Temperature	Θ_{HS}	85 °C
Storage Temperature	Θ_{storage}	-40/+85 °C
Thermal Resistance ($\Theta_{\text{HS}}-\Theta_{\text{case}}$)	R_{th}	6,3 K/W

SERVIS LIFE

Lifetime Expectancy	150 000 h
at Hotspot Temperature	65 °C
Failure Rate	100 FIT

DIMENSIONS

Diameter	D	65 mm
Height	H	165 mm
Terminal Height		30 mm
Terminal	M	M6
Creepage Distance		26 mm
Air Clearance		19 mm
Weight	m	0,6 kg

TORQUES

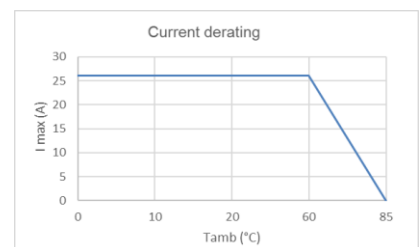
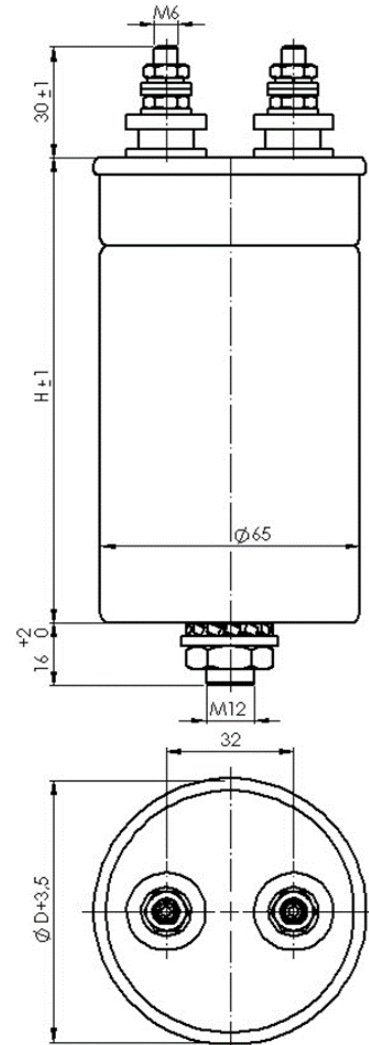
Max. Torque for M6	4 Nm
Max. Torque for M12 - bolt	7 Nm

TEST DATA (Routine Test)

Test Voltage between Terminals	$U_{\text{T/T}}$	495 V _{AC} /10s
Test Voltage Terminals-Case	$U_{\text{T/C}}$	3 000 V _{AC} /10s

DESIGN

Dielectrics	MKP metallized polypropylene capacitor, Self Healing system
Mechanical construction	Aluminium can, metal cover, PCB and halogen free, Filling - semidry resin Without discharge resistors
Safety devices	Overpressure disconnecter - space for safety device + 15 mm



Capacitors for Power Electronics		Sheet	1 of 1	Name	Date
PVAJP 16-0,33/150 AC		DRW. No.	3BC2332	DRAWN	V.F. 17.03.2021
				APPV'D	
	ZEZ SILKO, s.r.o. Pod Černým lesem 683 564 01 ŽAMBERK Czech Republic	tel : +420 465 673 111 fax :+420 465 612 319 e-mail: zez@zez-silko.cz http://www.zez-silko.cz	MODIFICATION		INDEX