

# DATA SHEET

## AC Filtering capacitor

TYPE : PVAJP 2 - 0,33/220 AC 0,33/300 AC

Standard acc. to IEC 61071

### CHARACTERISTICS

Voltage ac rms	V ac	330	330
Voltage ac	V ac	460	460
Capacitance	μF	220	300
C <sub>N</sub> tolerance	%	- 5/+5	- 5/+5
Current In 50/60Hz	A	22,8/27,4	31,1/37,3
Current	A	40	50
u <sub>max</sub> periodic	V	940	940
u <sub>s</sub> non-periodic	V	1 125	1 125
i <sub>max</sub> periodic	kA	2,6	3,6
Self inductance	nH	60	80

### THERMAL CONDITIONS

Dielectric losses	W/kvar	0,2	0,2	
Service temperature	°C	-40/+85	-40/+85	b)
Storage temperature	°C	-40/+85	-40/+85	

### SERVIS LIFE

Life expectancy	h	150 000	150 000	b)
at hot spot	°C	65	65	b)
Failure rate	FIT	100	100	b)

### DIMENSION

ØD	mm	85	85	
H	mm	150	220	
Terminal	M	M10	M10	
Torque for M10	Nm	8	8	
Creep distance	mm	19	19	
Strike distance	mm	20	20	
Torque for M12 - bolt	Nm	7	7	b)

### TEST DATA

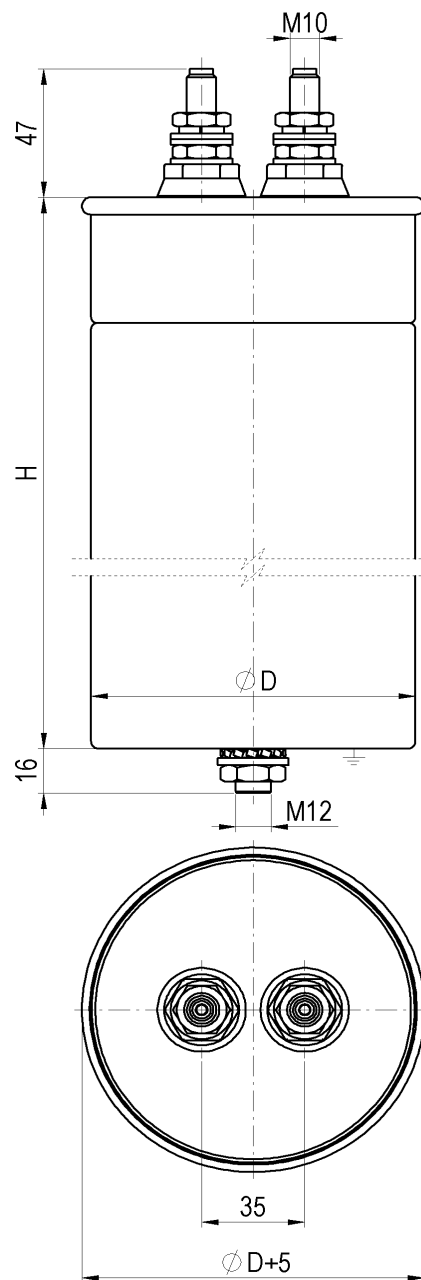
Test voltage U <sub>TT</sub>	V ac	495	495
Test time	sec	10	10
Test voltage U <sub>T/C</sub>	V ac	3 000	3 000
Test time	sec	10	10


### DESIGN

Design MKP metallized polypropylene capacitors  
Al case with metal cover Dry type  
PCB and halogen free

Safety devices Overpressure disconnecter - space for safety device + 15 mm

Weight kg 1,1 1,6



		DRAWN : Fal.
TYPE : see above	DRW. No. : 3BP1181b	APPVD :
		Date : 27.1.2015
	ZEZ-SILKO s.r.o.	a) Servis temp. 1/2015
	Pod Černým lesem 683 CZ 564 01 ŽAMBERK Czech Republic	b) Updated 3/2021
tel : +420 465 673 111		
fax : +420 465 612 319		
e-mail : zez@zez-silko.cz		
<a href="http://www.zez-silko.cz">http://www.zez-silko.cz</a>		