

TYPE : PVAJP 2- 0,33/150 AC - 0,33/200 AC

Standard: IEC 61071; EN 61881

CHARACTERISTICS

Capacitance	C_N	150 μF	200 μF	$\pm 5\%$
Voltage AC rms (sinusoidal)	U_{RMS}	330 V	330 V	
Voltage AC	U_{AC}	460 V_{AC}	460 V_{AC}	
Non-recurrent surge voltage	u_s	1 125 V	1 125 V	
Maximum RMS Current	I_{max}	30 A	40 A	
Maximum Peak Current	\hat{i}	1,6 kA	2,2 kA	
Maximum Surge Current	i_s	6 kA	7 kA	
Series Resistance	R_S	1,2 m Ω	0,9 m Ω	
Dielectric Dissipation Factor	$\tan\delta_0$	2×10^{-4}	2×10^{-4}	
Self Inductance	L_S	80 nH	80 nH	

THERMAL CONDITIONS

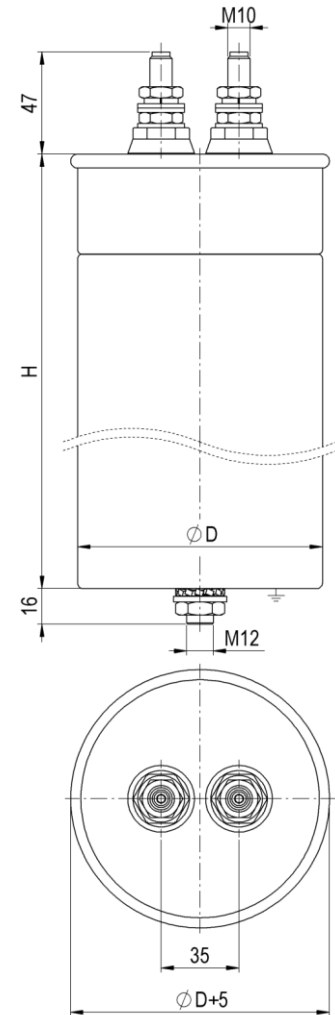
Case Temperature	$\Theta_{\text{min}}/\Theta_{\text{max}}$	-40/+70 $^{\circ}\text{C}$	-40/+70 $^{\circ}\text{C}$	
Maximum Hotspot Temperature	Θ_{HS}	85 $^{\circ}\text{C}$	85 $^{\circ}\text{C}$	
Storage Temperature	Θ_{storage}	-40/+85 $^{\circ}\text{C}$	-40/+85 $^{\circ}\text{C}$	
Thermal Resistance ($\Theta_{\text{HS}}-\Theta_{\text{case}}$)	R_{th}	4,1 K/W	4,1 K/W	

SERVIS LIFE

Lifetime Expectancy		150 000 h	150 000 h	
at Hotspot Temperature		65 $^{\circ}\text{C}$	65 $^{\circ}\text{C}$	
Failure Rate		100 FIT	100 FIT	

DIMENSIONS

Diameter	D	85 mm	85 mm
Height	H	165 mm	165 mm
Terminal Height		47 mm	47 mm
Terminal	M	M10	M10
Creepage Distance		19 mm	19 mm
Air Clearance		20 mm	20 mm
Weight	m	1,1 kg	1,1 kg



TORQUES


Max. Torque for M10		8 Nm	8 Nm
Max. Torque for M12 - bolt		5 Nm	5 Nm

TEST DATA (Routine Test)

Test Voltage between Terminals	$U_{\text{T/T}}$	415 $V_{\text{AC}}/10\text{s}$	415 $V_{\text{AC}}/10\text{s}$
Test Voltage Terminals-Case	$U_{\text{T/C}}$	3 000 $V_{\text{AC}}/10\text{s}$	3 000 $V_{\text{AC}}/10\text{s}$

DESIGN

Dielectrics	MKP metallized polypropylene capacitor, Self Healing system
Mechanical construction	Aluminium can, metal cover, PCB and halogen free, Filling - semidry resin Without discharge resistors
Safety devices	Overpressure disconnecter - space for safety device + 15 mm

Capacitors for Power Electronics		Sheet	1 of 1	Name	Date
PVAJP 2- 0,33/150 AC - 0,33/200 AC		DRW. No.	3BP1199b	DRAWN V.F.	25.01.2018
		tel : +420 465 673 111 fax : +420 465 612 319 e-mail: zez@zez-silko.cz http://www.zez-silko.cz		modif dim. 6/2018 a) datasheet updated 19.01.2019 b)	INDEX