

DATA SHEET

TYPE : PVAJP 16 - 0,33/50 AC

AC Filter capacitor

Standard acc. to IEC 61071

CHARACTERISTICS

Voltage ac rms V ac 330
 Voltage ac V ac 460
 Voltage dc V dc 800

Capacitance μ F 50
 C_N tolerance % - 5/+5
 Current In 50/60Hz A 5,2/6,2
 Current I_{max} A 20
 u_{max} periodic V 1 000
 u_s non-periodic V 1 250
 i_{max} periodic kA 0,9
 Self inductance nH < 60

THERMAL CONDITIONS

Dielectric losses W/kvar 0,2
 Service temperature °C -40/+70
 Storage temperature °C -40/+85
 Hot-spot max °C 85

SERVIS LIFE

Life expectancy h 150 000
 at hot spot °C 55
 Failure rate FIT 300

DIMENSIONS

ØD mm 65
 H mm 95

Terminal M M6
 Torque for M6 Nm 4
 Creep distance mm 26
 Strike distance mm 19
 Torque for M12 - bolt Nm 5

Weight kg 0,3

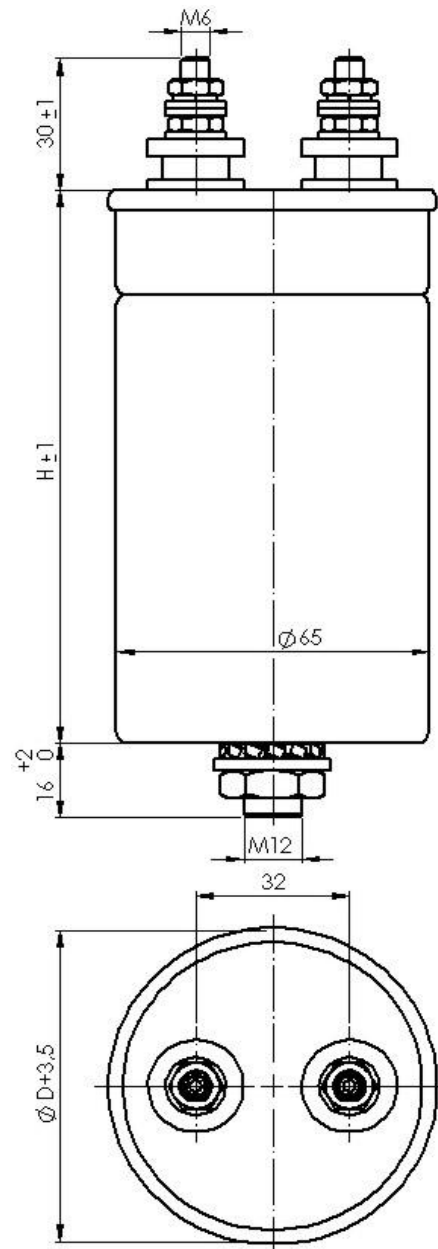
TEST DATA (routine test)


Test voltage U_{TT} V ac 495
 Test time sec 10
 Test voltage $U_{T/C}$ V ac 3 000
 Test time sec 10

DESIGN

Design MKP metallized polypropylene capacitors
 Al case with metal cover Dry type, Self healing system
 PCB and halogen free

Safety devices Overpressure disconnecter - space for safety device + 15 mm



		DRAWN : Fal.
		APPVD :
		Date : 15.12.2014
	ZEZ-SILKO s.r.o. Pod Černým lesem 683 564 01 ŽAMBERK Czech Republic	tel : +420 465 673 111 fax : +420 465 612 319 e-mail : zez@zez-silko.cz http://www.zez-silko.cz
	DRW. No. : 3BP1563	