

DATA SHEET

AC Filtering capacitor

TYPE : PVAJP 2 - 0,33/250 AC

Standard acc. to IEC 61071

CHARACTERISTICS

Voltage ac rms	V ac	330
Voltage ac	V ac	460
Capacitance	μF	250
C_N tolerance	%	- 5/+5
Current In 50/60Hz	A	25,9/31,1
Current	A	50

u_{max} periodic	V	940
u_s non-periodic	V	1 125
i_{max} periodic	kA	2,8
Self inductance	nH	< 80

THERMAL CONDITIONS

Dielectric losses	W/kvar	0,2
Service temperature	$^{\circ}\text{C}$	-40/+70
Storage temperature	$^{\circ}\text{C}$	-40/+85

SERVIS LIFE

Life expectancy	h	120 000
at hot spot	$^{\circ}\text{C}$	55
Failure rate	FIT	300

DIMENSION

$\varnothing D$	mm	85
H	mm	200
Terminal	M	M10
Torque for M10	Nm	8
Creep distance	mm	19
Strike distance	mm	20
Torque for M12 - bolt	Nm	5

TEST DATA

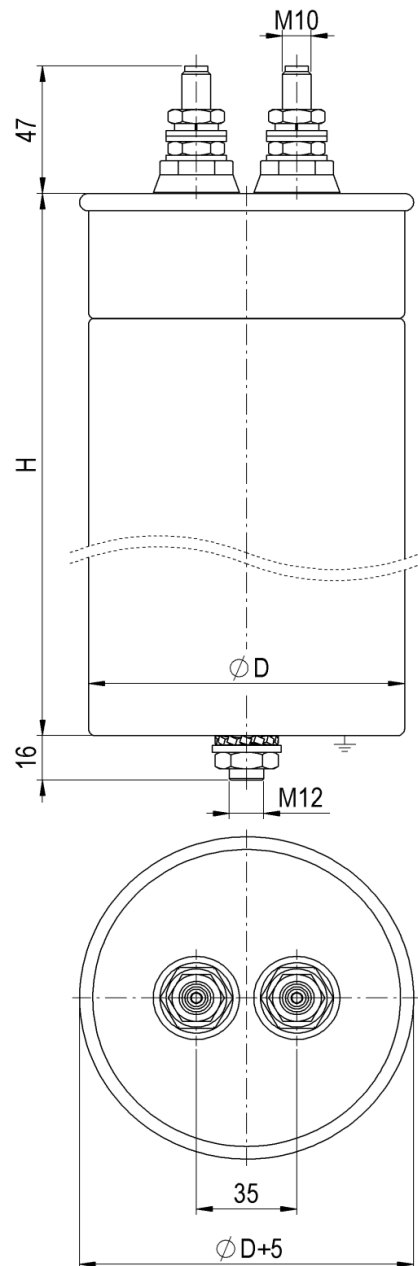
Test voltage $U_{T/T}$	V ac	495
Test time	sec	10
Test voltage $U_{T/C}$	V ac	3 000
Test time	sec	10


DESIGN

Design MKP metallized polypropylene capacitors
Al case with metal cover Dry type
PCB and halogen free

Safety devices Overpressure disconnector - space for safety device + 15 mm

Weight kg 1,3



		DRAWN : Fal.
DRW. No. : 3BP1698		APPVD :
		Date : 8.3.2016
	ZEZ-SILKO s.r.o. Pod Černým lesem 683 564 01 ŽAMBERK Czech Republic	tel : +420 465 673 111 fax : +420 465 612 319 e-mail : zez@zez-silko.cz http://www.zez-silko.cz