

DUCATI energia	CAPACITOR for POWER ELECTRONIC - GENERAL PURPOSE APPLICATIONS -	C = 50 μ F 330 Vac / 600 Vdc
S.p.A		Part. Number : 416.84.3150

CHARACTERISTICS

Rated Capacitance	50	μ F
Capacitance Tolerance	$\pm 5\%$	
Rated AC Voltage (Urms)	330	V
Rated DC Voltage (Un)	600	V
Maximum Current (Imax) @ $\theta_{0 \text{ MAX}}$	25	A
Self-inductance	< 160	nH
Equivalent series resistance (RESR)	< 35	m Ω
Typical tan d (10E-4)	4,0	(Measure @ 50Hz)
Thermal resistance natural cooling (R _{THN})	2,7	$^{\circ}$ C/W

Filler material	Polyurethane Resin
Dielectric	PPM Film
Over pressure safety device	
Aluminium case	
Weight	≤ 350 g

MAXIMUM RATINGS

Over voltage	1.1 Un	8hours/day
Non-recurrent surge voltage (Us)	1150	V
Maximum peak current (I _{PK})	35	A
Max. Voltage raise of rise (dV/dt)	125	V/ μ s
Maximum surge current (Is)	7,0	KA

TEST DATA

DC Test voltage terminal to terminal	1,5xUn x 10s	Vdc
AC test voltage terminal to case	3kVx 10 s	Vac 50Hz

CLIMATIC CATEGORY

Min. working temperature ($\theta_{0 \text{ MIN}}$)	-40	$^{\circ}$ C
Max. working temperature ($\theta_{0 \text{ MAX}}$)	+70	$^{\circ}$ C
Storage temperature	-40 +85	$^{\circ}$ C
Altitude maximum	2000m	a.s.l.

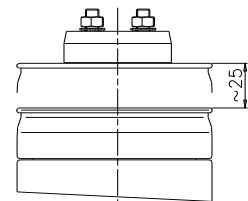
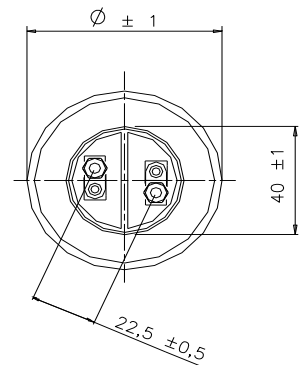
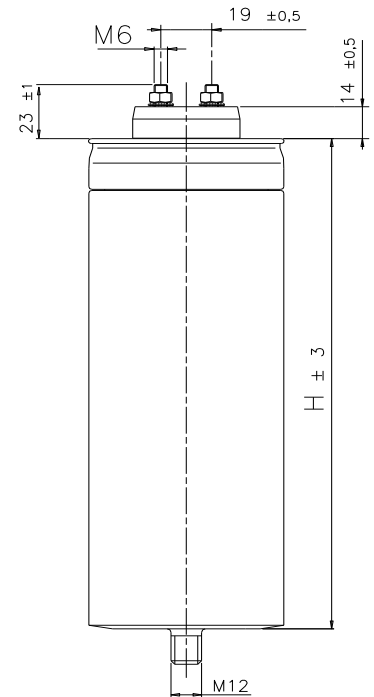
Failure quota	300/10E9
Expected life (Ln)	100.000 h @ 330 Vac / 50Hz

Humidity category	In accord. with DIN 40040	F
Insulating	In accord. with UL 840	
Vibration resistance	In accord. with EIA STAND. RS-186-7E	

STANDARDS

EN 61071-1/2
UL approval

Total elongation is about 20 mm after the overpressure disconnecter release.
Don't use rigid connections



Dimensioni con sistema antiscoppio attivato

Dimension with overpressure device activated

Fixing Stud : M12

Ø [mm]	H [mm]
55 ± 1	115 ± 5