



DUCATI energia

**CAPACITOR for
POWER ELECTRONIC**
- Low inductance DC Filters capacitors -

DC85 C Cn=570µF Un=900Vdc

Part. Number : 416.85.1490

DC 85 C

DC - Link Capacitors on cylindrical can

CHARACTERISTICS

Rated Capacitance	570	µF
Capacitance Tolerance	+0%.. -15%	
Rated DC Voltage (Un)	900	Vdc
Maximum ripple Voltage (Ur)	200	Vrms
Max. Current (Imax) @ θ _{MAX}	35	A rms
Max. fundamental freq. (fo)	<15	KHz
Self-inductance	< 50	nH
Series resistance (R _s)	< 3.6	mΩ
Typical tan d (10E-4)	8.0	(Measure @ 50Hz)
Thermal resistance natural cooling (R _{THN}) case-amb.	4,20	°C/W
Filler material	Polyurethane resin.	
Dielectric	Self healing PPM-D Film.	
Cover	Self extinguishing plastic top	
Can	Aluminum	
Weight	≤ 1,0kg	

MAXIMUM RATINGS

Over voltage	1.1 Un	8hours/day
Non-recurrent surge voltage (Us)	1900	V
Maximum peak current (I _{PK})	3.4	kA
Max. Voltage raise of rise (dV/dt)	6	V/µs
Maximum surge current (Is)	10.3	kA

TEST DATA

DC Test voltage terminal to terminal	1,5xUn 10s	Vdc
AC test voltage terminal to case	3.0kV 60s	Vac 50Hz

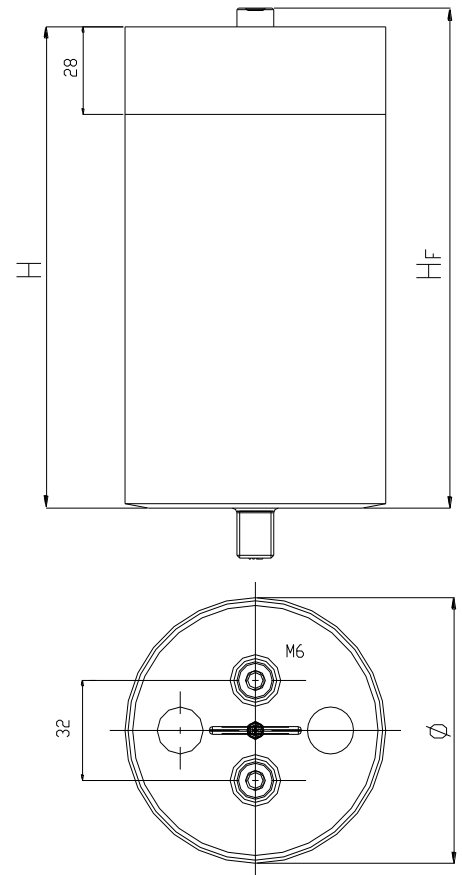
CLIMATIC CATEGORY

Min.operating temp. (θ _{MIN})	-25	°C
Max. operating temp. (θ _{MAX})	+75	°C
Hot Spot temperature (θ _{HS})	+85	°C
Storage temperature	-40 +85	°C
Altitude maximum	2000m	a.s.l.

Failure quota	300/10E9	
Expected life (Ln)	100.000 h	@ 900Vdc θ _{HS0} =85°C / θ ₀ =70°C

STANDARDS

EC 1071 / EN 61071-1/2
Insulating: according to UL 810



Fixing

M12 Fixing Stud
Permissible tightening torque: 10Nm

Ø [mm]	H [mm]	HF[mm]
85 ± 1	140 ± 4	146 ± 3

Electrical connection:

M6 internal thread
Permissible tightening torque: 3Nm

Spacings

Through air:	19.5 mm
Over surface:	>40 mm

Release	Date	Description	Technician
-	09/03/12	First issue	A. G.