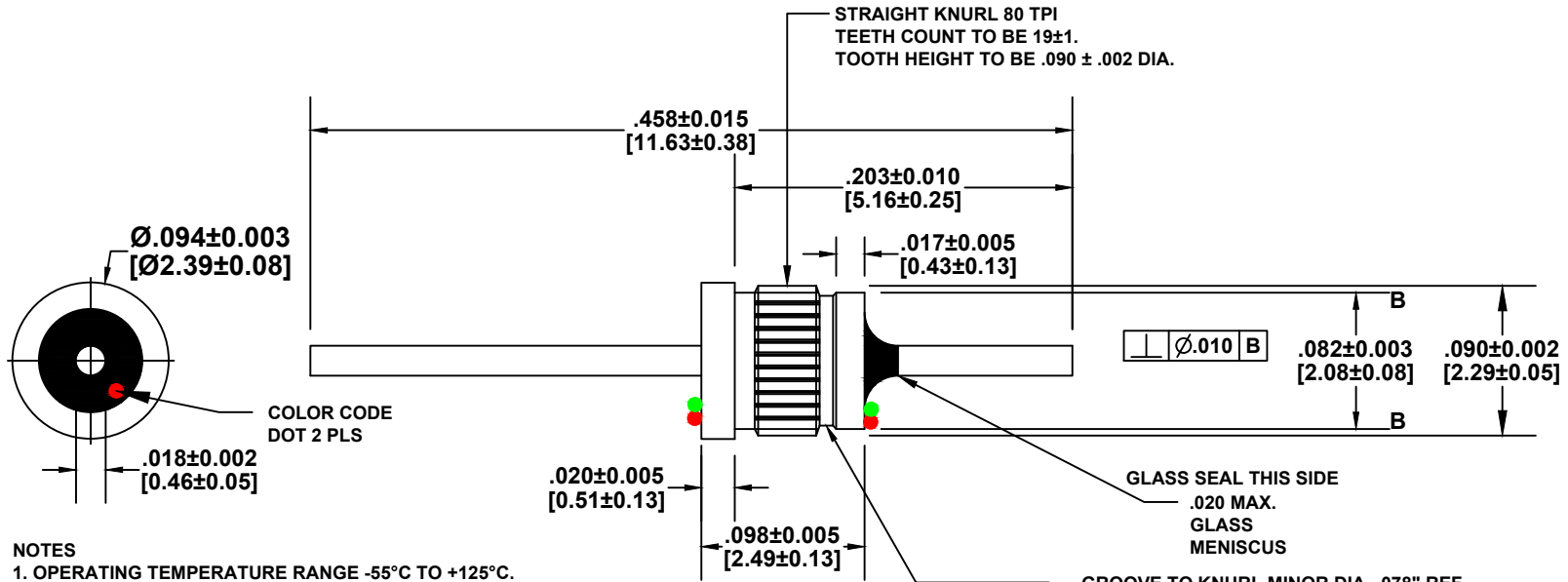


DATA SHEET DRAWING

This drawing is the property of Tusonix, Inc., and may not be used, reproduced, published or disclosed to others without expressed authorization by Tusonix Inc.

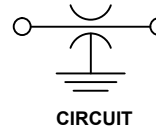
Electrical testing per Tusonix standard test plans and MIL-Std-202 test methods.



NOTES

1. OPERATING TEMPERATURE RANGE -55°C TO +125°C.
2. GOLD PLATED CASE AND LEAD.
3. EPOXY SEALED ON THE OPPOSITE END FROM THE GLASS SEAL.
4. PROPER INSTALLATION REQUIRES FIRM STEADY PRESSURE UNTIL FLANGE IS FULLY SEAATED.
5. RECOMMENDED MOUNTING HOLE: (TBD)
6. END OF LEAD INDICATED TO BE FREE OF BURRS.
7. TUSONIX NON-RoHS COMPLIANT PART NUMBER: 4310-010.
TUSONIX RoHS COMPLIANT PART NUMBER: 4310-010LF.
CUSTOMER MUST SPECIFY NON-RoHS OR RoHS PART NUMBER WHEN ODERING.
8. COLOR CODE: RED. RoHS COMPLIANT PART MARKED WITH ADDITIONAL GREEN DOT FOR IDENTIFICATION.

GROOVE TO KNURL MINOR DIA. .078" REF. UNSPECIFIED ANGLE ON GROOVE SIDES AND KNURL ENDS.



Cx (pF)		DC WORKING VOLTAGE		I DC	I.R. MIN @ 100 VDC	DWV	DIMENSIONS: ENGLISH UNITS - INCHES METRIC UNITS - [mm]	TUSONIX <small>A Subsidiary of CTS Electronic Components TUCSON, ARIZONA</small>	Title MINIATURE PRESS-IN EMI FILTER																																															
2,700	+100% -0%	85°C 150	125°C 100	1A	10 G Ω	250 VDC			Dwn R.C. 05-05-15 Ckd R.C. 05-05-15																																															
TYPICAL NO LOAD INSERTION LOSS (dB) @ 25°C PER MIL-STD-220							ORIENTATION	--TOLERANCES-- Unless Otherwise Specified	Material SEE NOTES																																															
10 MHz	100 MHz	1 GHz	10 GHz	Scale: NOT TO SCALE																																																				
10	25	40	50	Sheet 1 of 1																																																				
REVISION RECORD							2 Place Decimal ± .01		A	4310-010																																														
<table border="1" style="width: 100%; border-collapse: collapse;"> <thead> <tr> <th>REV</th> <th>DATE</th> <th>CHG BY</th> <th>CHANGE</th> <th>REV</th> <th>DATE</th> <th>CHG BY</th> <th>CHANGE</th> </tr> </thead> <tbody> <tr> <td>A</td> <td>05-05-15</td> <td>R.C.</td> <td>ORIGINAL RELEASE</td> <td></td> <td></td> <td></td> <td></td> </tr> <tr> <td> </td> <td> </td> <td> </td> <td> </td> <td> </td> <td> </td> <td> </td> <td> </td> </tr> <tr> <td> </td> <td> </td> <td> </td> <td> </td> <td> </td> <td> </td> <td> </td> <td> </td> </tr> <tr> <td> </td> <td> </td> <td> </td> <td> </td> <td> </td> <td> </td> <td> </td> <td> </td> </tr> <tr> <td> </td> <td> </td> <td> </td> <td> </td> <td> </td> <td> </td> <td> </td> <td> </td> </tr> </tbody> </table>							REV	DATE			CHG BY	CHANGE	REV	DATE	CHG BY	CHANGE	A	05-05-15	R.C.	ORIGINAL RELEASE																																				
REV	DATE	CHG BY	CHANGE	REV	DATE	CHG BY	CHANGE																																																	
A	05-05-15	R.C.	ORIGINAL RELEASE																																																					
							Angles ± 5°																																																	