



VPT5-2800D Series



HIGH RELIABILITY COTS DC-DC CONVERTERS

TECHNICAL PREVIEW

DESCRIPTION

The VPT5 series of isolated COTS DC-DC converters is a cost effective solution for many demanding high reliability applications. A wide input voltage range accommodates nominal 28V inputs including avionics, mobile, ground systems, and other applications. Low input and output ripple, fixed operating frequency, and companion EMI filters simplify system design and compliance. A proven design heritage, no optoisolators and a rugged all metal package ensure long term reliability.

The VPT5 series is intended for harsh environments including severe vibration, shock and temperature cycling. Testing is to JESD22, MIL-STD-810, and MIL-STD-883.

These converters are designed and manufactured in the USA in a facility certified to ISO9001, J-STD-001 and IPC-A-610.

This product may incorporate one or more of the following U.S. patents:

5,784,266
5,790,389
5,963,438
5,999,433
6,005,780
6,084,792
6,118,673

FEATURES

- High Reliability at Low Cost
- 5 Watts Output Power
- Wide Input Voltage Range: 15 to 50 Volts per MIL-STD-704 and MIL-STD-1275
- High Input Transient Voltage: 80 Volts for 1 sec per MIL-STD-704A
- Input Undervoltage Lockout
- Fixed Frequency
- Output Soft Start
- Current Limit Protection
- Short Circuit Protection
- Magnetic Feedback, no Optoisolators
- Wide Temperature Range, -55°C to 100°C
- Internally Conformal Coated
- Six Sided Non-Hermetic Rugged Metal Enclosure
- Meets MIL-STD-461 Revisions C, D, E and F EMC Requirements When Used With VPT's EMI Filters



Figure 1 – VPT5-2800D Converter
(Not To Scale)



VPT5-2800D Series

SPECIFICATIONS (T_{CASE} = -55°C to +100°C, V_{IN} = +28V ± 5%, Full Load, Unless Otherwise Specified)

ABSOLUTE MAXIMUM RATINGS

Input Voltage (Continuous)	50 V _{DC}	Junction Temperature Rise to Case	+15°C
Input Voltage (Transient, 1 second)	80 Volts	Storage Temperature	-55°C to +125°C
Output Power	5 Watts	Lead Solder Temperature (10 seconds)	300°C
Power Dissipation (Full Load, T _{CASE} = +100°C)	2.8 Watts	Weight (Maximum)	22 Grams

Parameter	Conditions	VPT5-2805D			VPT5-2812D			Units
		Min	Typ	Max	Min	Typ	Max	
STATIC								
INPUT Voltage ⁴	Continuous	15	28	50	15	28	50	V
	Transient, 1 sec	-	-	80	-	-	80	V
Current	Inhibited	-	4	6	-	4	6	mA
	No Load	-	40	60	-	40	60	mA
Ripple Current	Full Load, 20Hz to 10MHz	-	30	50	-	30	50	mA _{p-p}
Inhibit Pin Input ⁴		0	-	1.5	0	-	1.5	V
Inhibit Pin Open Circuit Voltage ⁴		9.0	11.0	13.0	9.0	11.0	13.0	V
UVLO Turn On		12.0	-	14.8	12.0	-	14.8	V
UVLO Turn Off ⁴		11.0	-	14.5	11.0	-	14.5	V
OUTPUT Voltage ⁵	+V _{OUT} T _{CASE} = 25°C	4.92	5.00	5.08	11.82	12.00	12.18	V
	+V _{OUT} T _{CASE} = -55°C to +100°C	4.87	5.00	5.13	11.70	12.00	12.30	V
	-V _{OUT} T _{CASE} = 25°C	4.87	5.00	5.13	11.70	12.00	12.30	V
	-V _{OUT} T _{CASE} = -55°C to +100°C	4.82	5.00	5.18	11.58	12.00	12.42	V
Power ^{3,6}	Total	0	-	5	0	-	5	W
	±V _{OUT} Either Output	0	-	3.5	0	-	3.5	W
Current ^{3,6}	±V _{OUT} Either Output	0	-	0.70	0	-	0.29	A
Ripple Voltage	±V _{OUT} Full Load ⁵ , 20Hz to 10MHz	-	35	100	-	20	50	mV _{p-p}
Line Regulation	+V _{OUT} V _{IN} = 15V to 50V	-	1	10	-	5	60	mV
	-V _{OUT} V _{IN} = 15V to 50V	-	5	50	-	20	150	mV
Load Regulation	+V _{OUT} No Load to Full Load ⁵	-	1	10	-	5	30	mV
	-V _{OUT} No Load to Full Load ^{5,7}	-	20	100	-	55	200	mV
Cross Regulation	-V _{OUT} +Load 70%, -Load 30% +Load 30%, -Load 70%	-	150	300	-	200	300	mV
EFFICIENCY	Full Load ⁵	64	70	-	68	72	-	%
LOAD FAULT POWER DISSIPATION	Overload ⁴	-	-	5	-	-	5	W
CAPACITIVE LOAD ⁴	Either Output	-	-	300	-	-	100	μF
SWITCHING FREQUENCY		425	500	550	425	500	550	kHz
ISOLATION	500 V _{DC}	100	-	-	100	-	-	MΩ
MTBF (MIL-HDBK-217F)	GM @ T _C = 55°C	-	363	-	-	363	-	kHrs

See notes on next page.



VPT5-2800D Series

SPECIFICATIONS (T_{CASE} = -55°C to +100°C, V_{IN} = +28V ± 5%, Full Load, Unless Otherwise Specified)

ABSOLUTE MAXIMUM RATINGS

Input Voltage (Continuous)	50 V _{DC}	Junction Temperature Rise to Case	+15°C
Input Voltage (Transient, 1 second)	80 Volts	Storage Temperature	-55°C to +125°C
Output Power ¹	5 Watts	Lead Solder Temperature (10 seconds)	300°C
Power Dissipation (Full Load, T _{CASE} = +100°C)	2.8 Watts	Weight (Maximum)	22 Grams

Parameter	Conditions	VPT5-2805D			VPT5-2812D			Units	
		Min	Typ	Max	Min	Typ	Max		
DYNAMIC									
Load Step Output Transient	±V _{OUT}	Half Load to Full Load	-	65	150	-	100	200	mV _{PK}
Load Step Recovery ²			-	150	300	-	200	500	μSec
Line Step Output Transient ⁴	±V _{OUT}	V _{IN} = 16V to 40V	-	400	700	-	400	900	mV _{PK}
Line Step Recovery ^{2, 4}			-	1000	1500	-	1000	1500	μSec
Turn On Delay	±V _{OUT}	V _{IN} = 0V to 28V	-	10	20	-	10	20	mSec
Turn On Overshoot			-	0	25	-	0	50	mV _{PK}

- Notes:
1. Dependant on output voltage.
 2. Time for output voltage to settle within 1% of its nominal value.
 3. Derate linearly to 0 at 110°C.
 4. Verified by qualification testing.
 5. Half load at +V_{OUT} and half load at -V_{OUT}.
 6. Up to 70% of the total power or current can be drawn from either of the two outputs.
 7. 5% Load to Full Load at -55°C.



VPT5-2800D Series

SPECIFICATIONS (T_{CASE} = -55°C to +100°C, V_{IN} = +28V ± 5%, Full Load, Unless Otherwise Specified)

ABSOLUTE MAXIMUM RATINGS

Input Voltage (Continuous)	50 V _{DC}	Junction Temperature Rise to Case	+15°C
Input Voltage (Transient, 1 second)	80 Volts	Storage Temperature	-55°C to +125°C
Output Power ¹	5 Watts	Lead Solder Temperature (10 seconds)	300°C
Power Dissipation (Full Load, T _{CASE} = +100°C)	2.8 Watts	Weight (Maximum)	22 Grams

Parameter	Conditions	VPT5-2815D			Units	
		Min	Typ	Max		
STATIC						
INPUT Voltage ⁴	Continuous	15	28	50	V	
	Transient, 1 sec	-	-	80	V	
Current	Inhibited	-	4	6	mA	
	No Load	-	40	60	mA	
Ripple Current	Full Load ⁵ , 20Hz to 10MHz	-	30	50	mA _{p-p}	
Inhibit Pin Input ⁴		0	-	1.5	V	
Inhibit Pin Open Circuit Voltage ⁴		9.0	11.0	13.0	V	
UVLO Turn On		12.0	-	14.8	V	
UVLO Turn Off ⁴		11.0	-	14.5	V	
OUTPUT Voltage	+V _{OUT} T _{CASE} = 25°C	14.77	15.0	15.23	V	
	+V _{OUT} T _{CASE} = -55°C to +100°C	14.62	15.0	15.38	V	
	-V _{OUT} T _{CASE} = 25°C	14.62	15.0	15.38	V	
	-V _{OUT} T _{CASE} = -55°C to +100°C	14.47	15.0	15.53	V	
Power ^{3,6}	Total	0	-	5	W	
	±V _{OUT}	Either Output	0	-	3.5	W
Current ^{3,6}	±V _{OUT}	Either Output	0	-	0.23	A
Ripple Voltage	±V _{OUT} Full Load ⁵ , 20Hz to 10MHz	-	20	50	mV _{p-p}	
Line Regulation	+V _{OUT} V _{IN} = 15V to 50V	-	5	60	mV	
	-V _{OUT} V _{IN} = 15V to 50V	-	20	150	mV	
Load Regulation	+V _{OUT} No Load to Full Load ⁵	-	5	30	mV	
	-V _{OUT} No Load to Full Load ^{5,7}	-	55	200	mV	
Cross Regulation	-V _{OUT} +Load 70%, -Load 30% +Load 30%, -Load 70%	-	200	300	mV	
EFFICIENCY	Full Load ⁵	68	72	-	%	
LOAD FAULT POWER DISSIPATION	Overload ⁴	-	-	5	W	
CAPACITIVE LOAD ⁴	Either Output	-	-	100	μF	
SWITCHING FREQUENCY		425	500	550	kHz	
ISOLATION	500 V _{DC}	100	-	-	MΩ	
MTBF (MIL-HDBK-217F)	GM @ T _C = 55°C	-	363	-	kHrs	

SPECIFICATIONS (T_{CASE} = -55°C to +100°C, V_{IN} = +28V ± 5%, Full Load, Unless Otherwise Specified)

ABSOLUTE MAXIMUM RATINGS

Input Voltage (Continuous)	50 V _{DC}	Junction Temperature Rise to Case	+15°C
Input Voltage (Transient, 1 second)	80 Volts	Storage Temperature	-55°C to +125°C
Output Power ¹	5 Watts	Lead Solder Temperature (10 seconds)	300°C
Power Dissipation (Full Load, T _{CASE} = +100°C)	2.8 Watts	Weight (Maximum)	22 Grams

Parameter	Conditions	VPT5-2815D			Units
		Min	Typ	Max	
DYNAMIC					
Load Step Output Transient ±V _{OUT}	Half Load to Full Load ⁵	-	100	200	mV _{PK}
Load Step Recovery ²		-	200	500	µSec
Line Step Output Transient ⁴ ±V _{OUT}	V _{IN} = 16V to 40V	-	400	900	mV _{PK}
Line Step Recovery ^{2, 4}		-	1000	1500	µSec
Turn On Delay ±V _{OUT}	V _{IN} = 0V to 28V	-	10	20	mSec
Turn On Overshoot		-	0	50	mV _{PK}

- Notes:
1. Dependant on output voltage.
 2. Time for output voltage to settle within 1% of its nominal value.
 3. Derate linearly to 0 at 110°C.
 4. Verified by qualification testing.
 5. Half load at +V_{OUT} and half load at -V_{OUT}.
 6. Up to 70% of the total power or current can be drawn from any one of the two outputs.
 7. 5% Load to Full Load at -55°C.

BLOCK DIAGRAM

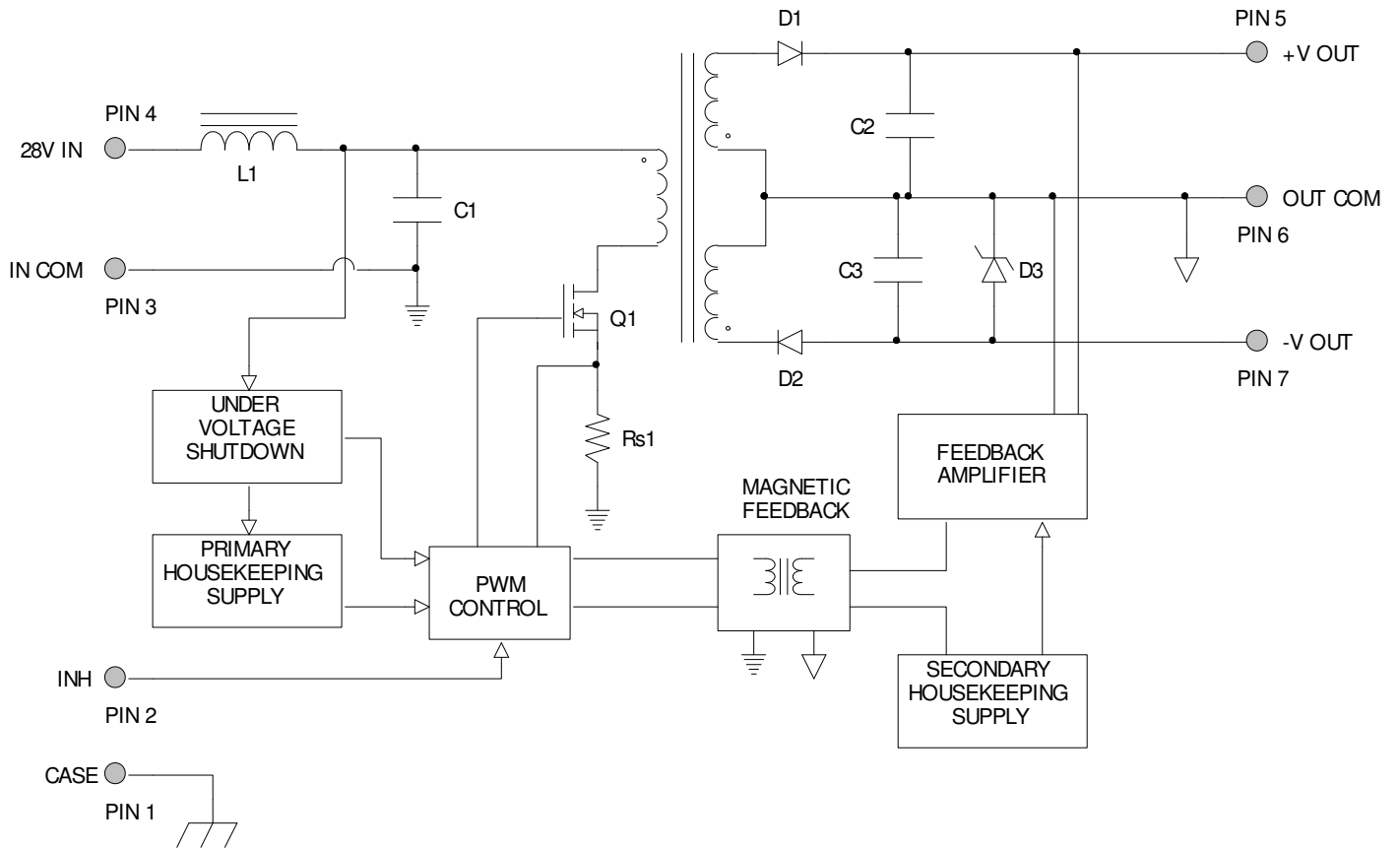


Figure 2

CONNECTION DIAGRAM

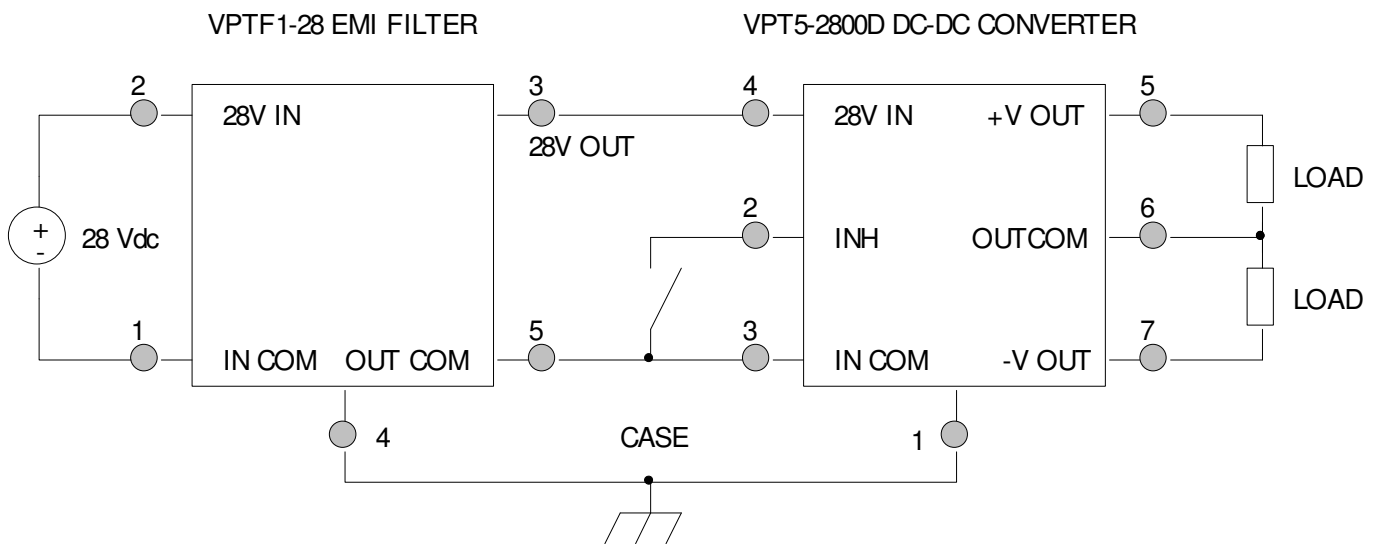


Figure 3
(Shown with optional EMI filter)

CONNECTION DIAGRAMS

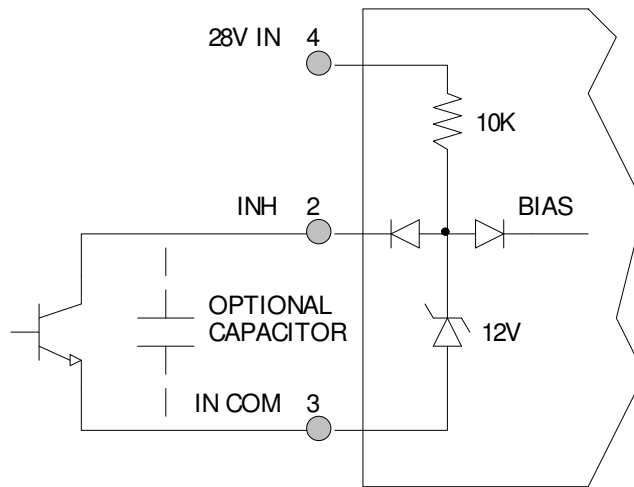


Figure 4 –Inhibit Circuit
(Shown with optional capacitor for turn-on delay)

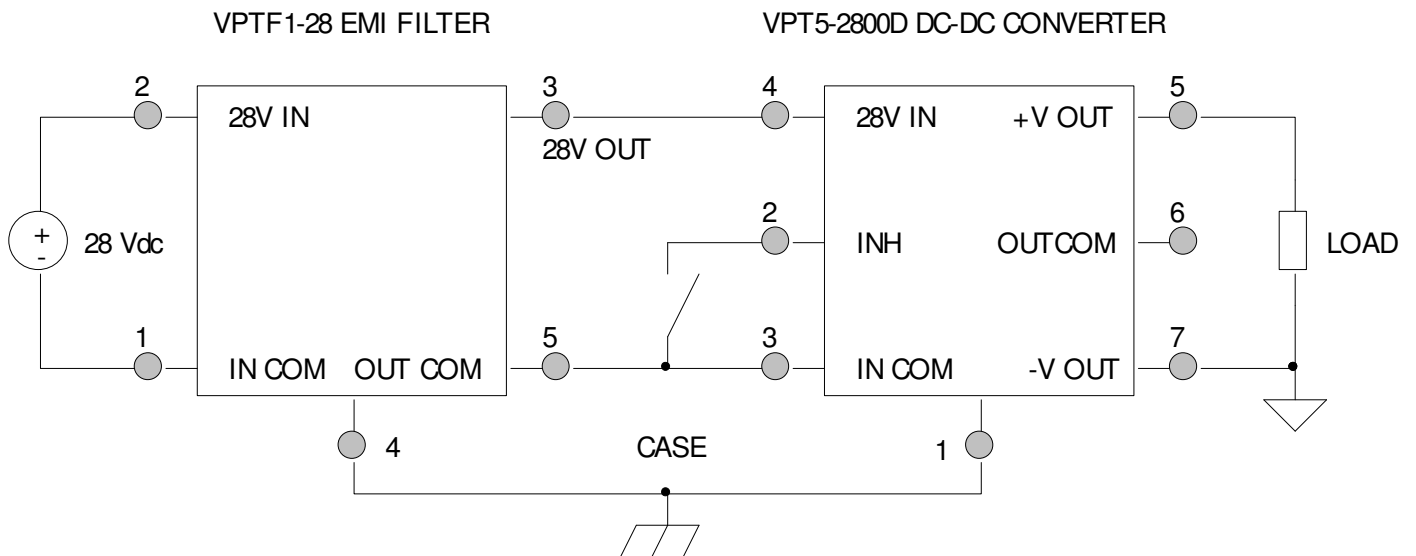


Figure 5 – Stacked Output Connection
(Shown with optional EMI filter)

EFFICIENCY PERFORMANCE CURVES ($T_{CASE} = 25^{\circ}C$, Full Load, Unless Otherwise Specified)

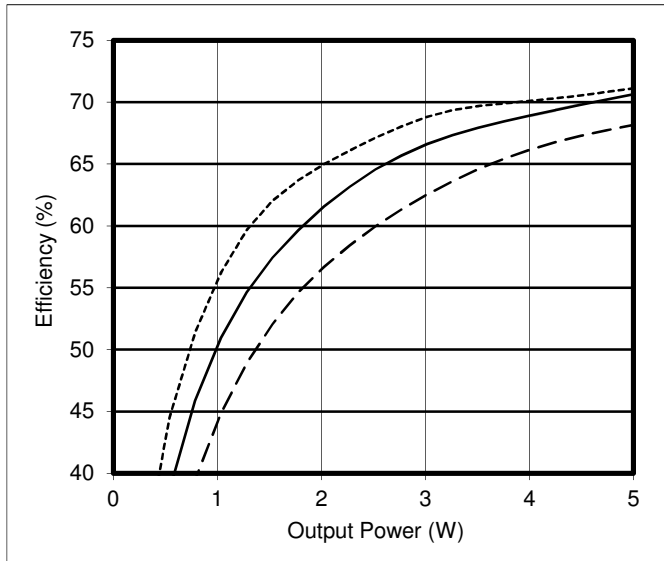
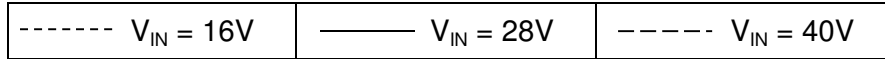


Figure 6 – VPT5-2805D
Efficiency (%) vs. Output Power (W)

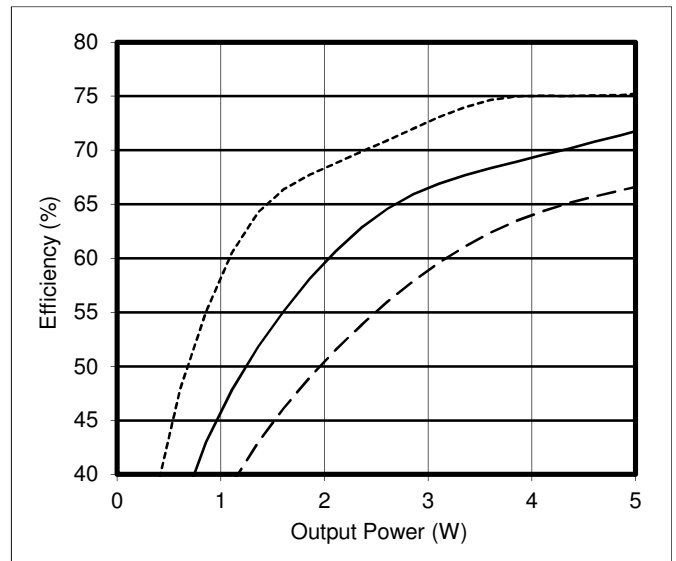


Figure 7 – VPT5-2812D
Efficiency (%) vs. Output Power (W)

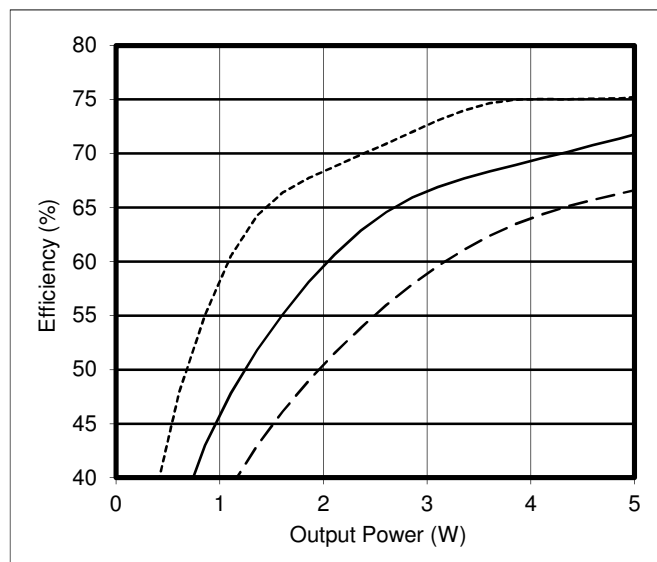


Figure 8 – VPT5-2815D
Efficiency (%) vs. Output Power (W)

CROSS REGULATION CURVES ($T_{CASE} = 25^{\circ}C$, Full Load, Unless Otherwise Specified)

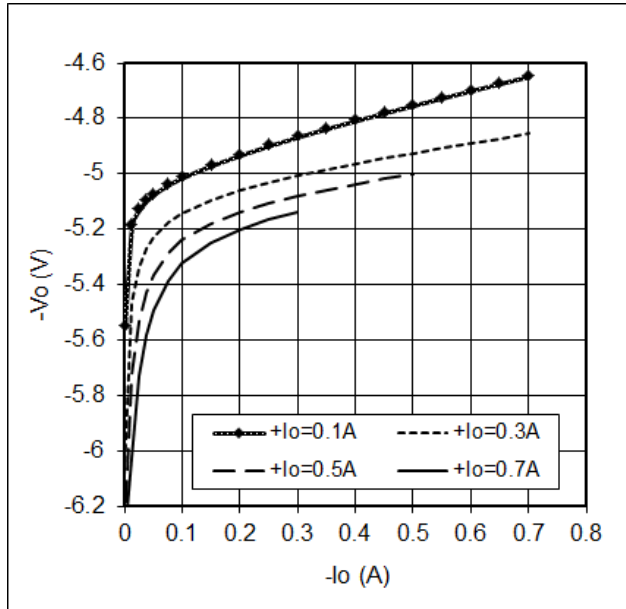
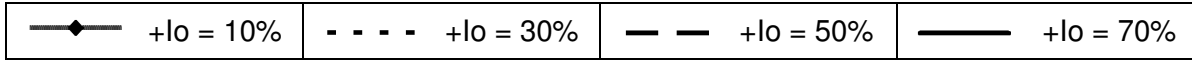


Figure 9 – VPT5-2805D
-Vout (V) vs. -Iout (A)

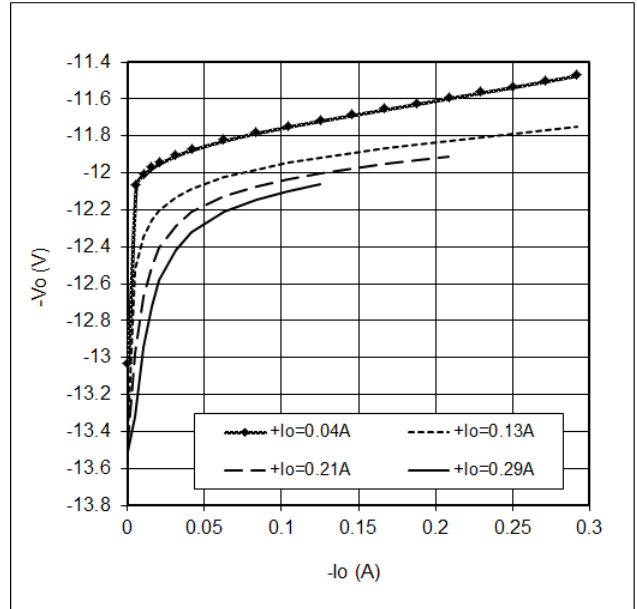


Figure 10 – VPT5-2812D
-Vout (V) vs. -Iout (A)

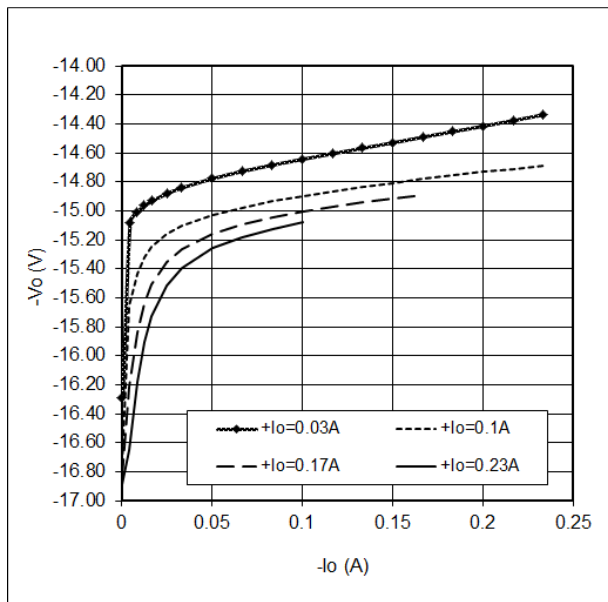


Figure 11 – VPT5-2815D
-Vout (V) vs. -Iout (A)

EMI PERFORMANCE CURVES

($T_{CASE} = 25^{\circ}C$, $V_{IN} = +28V \pm 5\%$, Full Load, Unless Otherwise Specified)

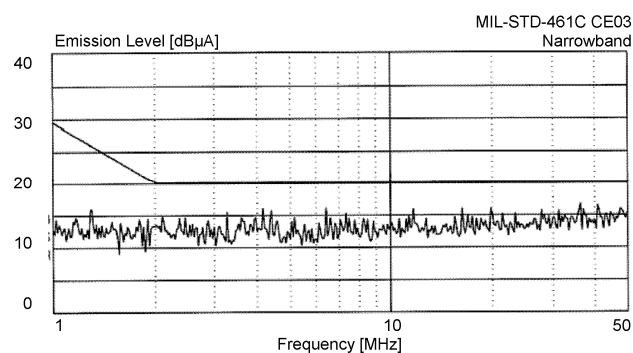
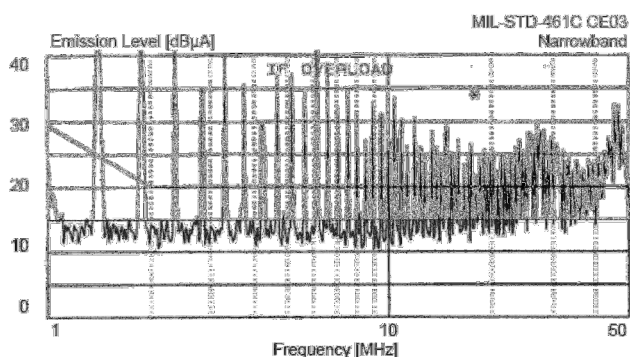
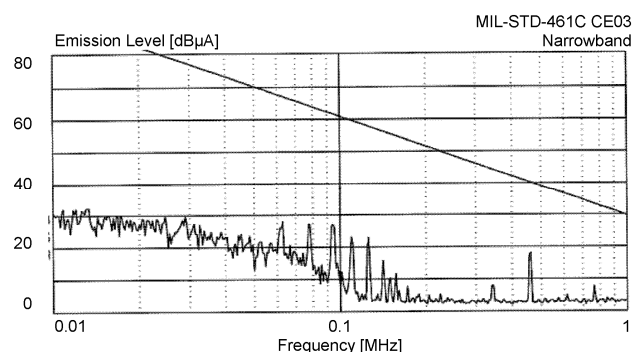
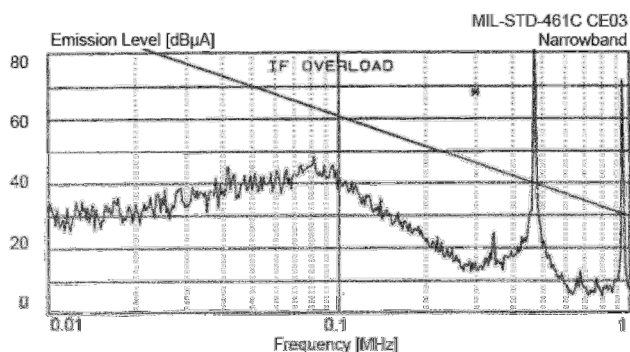


Figure 12 – VPT5-2800D without EMI Filter

Figure 13 – VPT5-2800D with VPTF Series EMI Filter

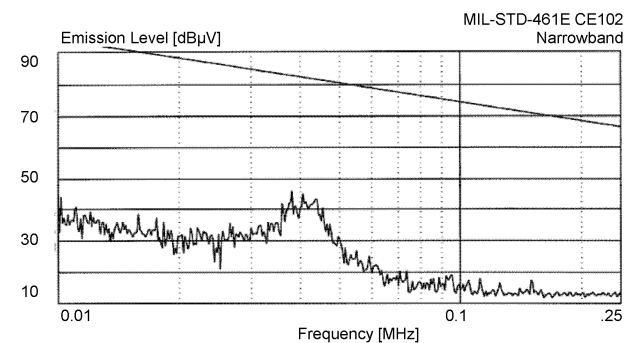
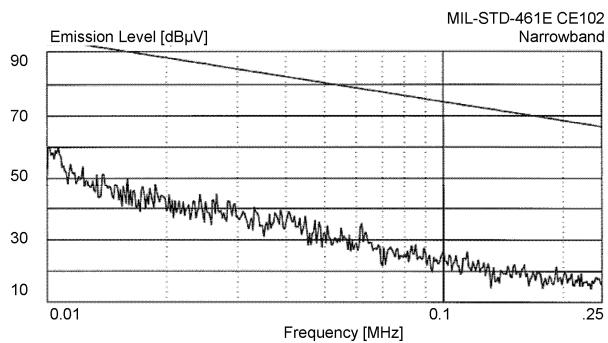


Figure 14 – VPT5-2800D without VPTF Series EMI Filter

Figure 15 – VPT5-2800D with VPTF Series EMI Filter

PACKAGE SPECIFICATIONS

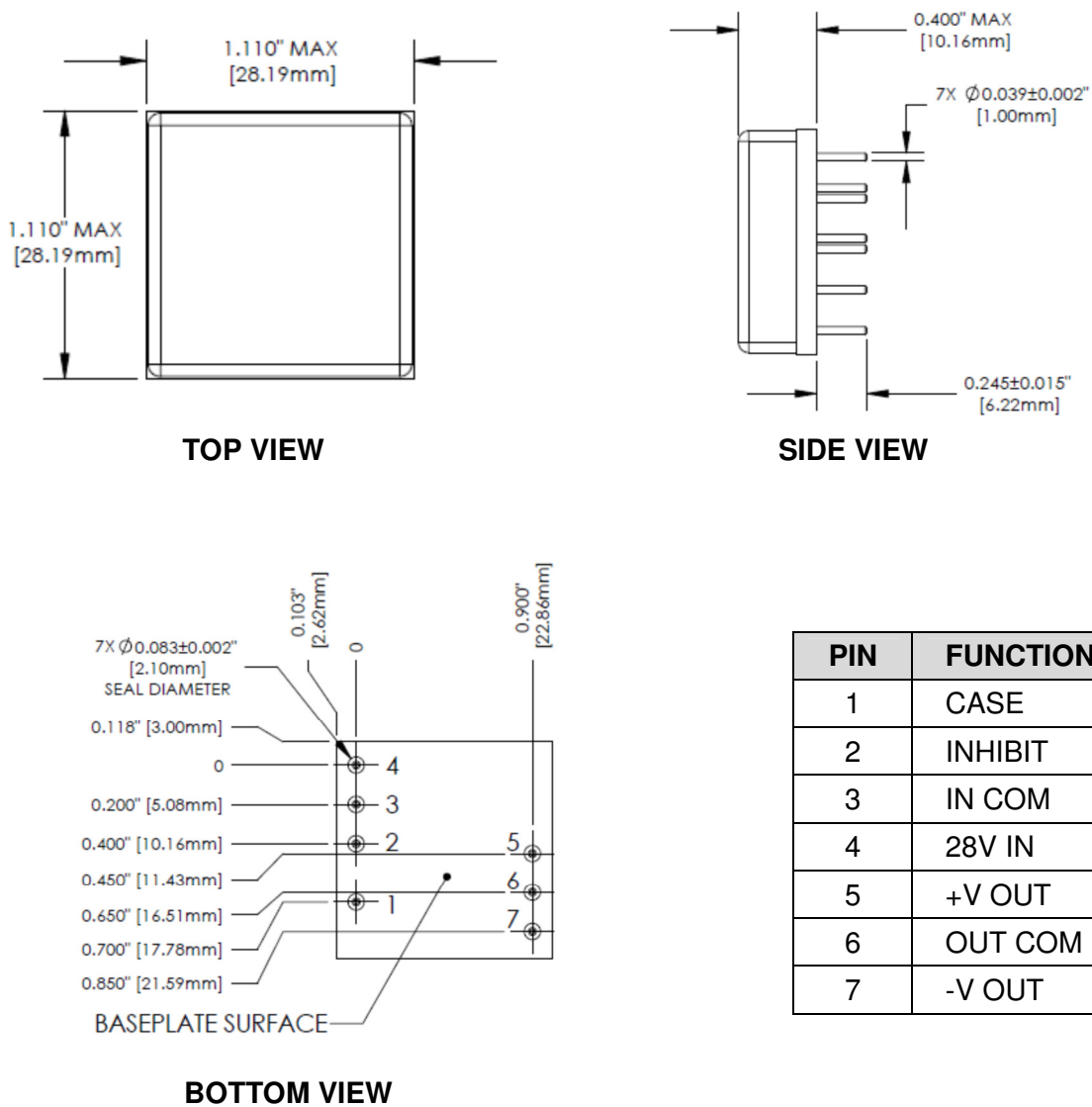


Figure 16 – Package and Pinout
(Dimensional Limits are ± 0.005 " Unless Otherwise Stated)

Package Notes:

- Case temperature is measured on the center of the baseplate surface.
- Materials: Baseplate – aluminum, conductive conversion coating.
Cover – nickel plated.
Pins – copper, gold over nickel plating.
- Mounting holes are not threaded. Recommended fastener is 4-40.
- This Package is not hermetic. VPT offers a wide range of hermetic products. Please contact VPT for details if hermetic products are required.
- For applications requiring exposure to liquid cleaning, please contact VPT.

PACKAGE PIN DESCRIPTION

Pin	Function	Description
1	CASE	Case Connection.
2	INHIBIT	This is an open collector input. Logic Low = Disabled Output. Connect the inhibit pin to input common to disable the output. Unconnected, open collector or open drain = Enabled Output.
3	IN COM	Input Return Connection.
4	28V IN	Positive Input Voltage Connection.
5	+VOUT	Positive Output Voltage Connection.
6	OUT COM	Output Return Connection.
7	-V OUT	Negative Output Voltage Connection.

100% ENVIRONMENTAL SCREENING

Screening	Condition
Internal Visual	IPC-A-610
Stabilization Bake	MIL-STD-883, Method 1008, Condition B, 125°C, 24 hours
Temperature Cycling	MIL-STD-883, Method 1010, Condition B, -55°C to +125°C, 10 Cycles
Burn-In	96 hours at +100°C
Final Electrical	100% at 25°C
External Visual	MIL-STD-883, Method 2009



ORDERING INFORMATION

VPT5-	28	05	D
1	2	3	4

(1)

(2)

(3)

(4)

Product Series	Nominal Input Voltage		Output Voltage		Number of Outputs	
VPT5-	28	28 Volts	05 12 15	±5 Volts ±12 Volts ±15 Volts	D	Dual

CONTACT INFORMATION

To request a quotation or place orders please contact your sales representative or the VPT Inc. Sales Department at:

Phone: (425) 353-3010
Fax: (425) 353-4030
E-mail: vptsales@vpt-inc.com

All information contained in this datasheet is believed to be accurate, however, no responsibility is assumed for possible errors or omissions. The products or specifications contained herein are subject to change without notice