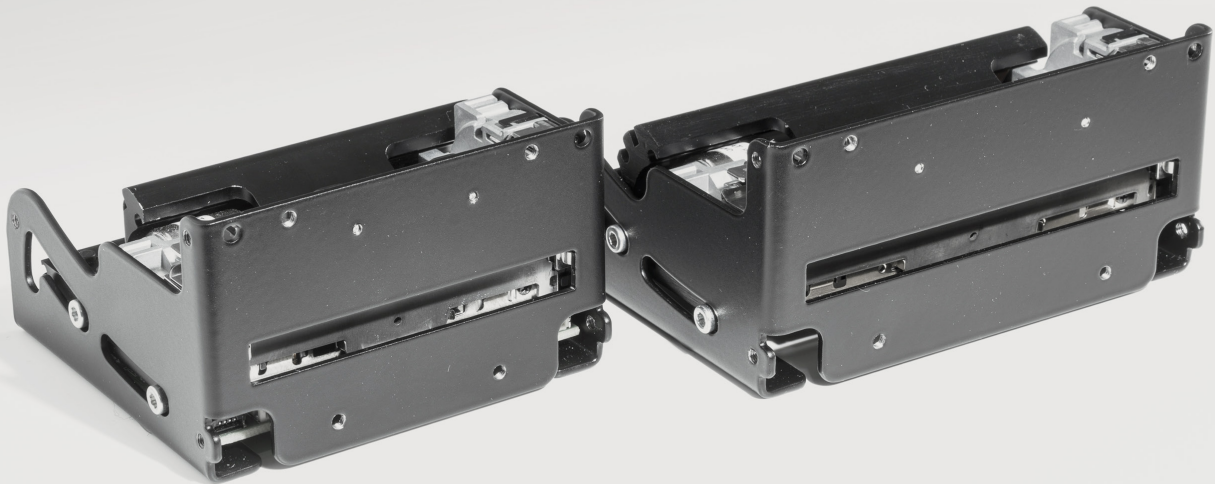


THERMAL KIOSK PRINTER EDITION G



COMPACT. SOLID. FLEXIBLE.

Options/Features

- Paper Winder/Presenter
- Near Paper End and/or Paper Jam Sensor
- Flexible Paper Roll Size and Position
- Barcode Printing
- Flash-ROM for Logo Printing
- Customized Command on Request



Height



Cleaning

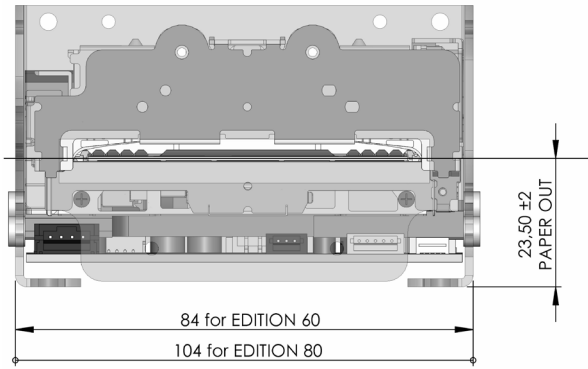


Weight

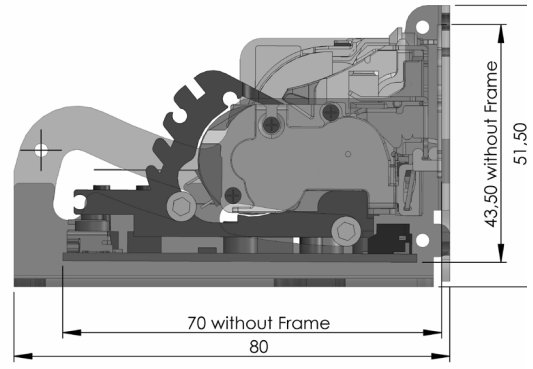
Printer Mechanism made by

FUJITSU

Dimensions [mm]



Front



Side

		EDITION 60G	EDITION 80G
	mm	58.0 / 60.0	80.0
	mm/s	220	
	VDC	24.0	
	✓	full cut & partial cut	
	✓	RS232 & USB	
	g	325	380
	°C	-20 / +70	

Subject to technical alterations, all technical data and details are not binding. (Rev. 00)

Get in touch

DREYER SYSTEM GmbH
T/M Solutions

DREYER SYSTEM GmbH
Black-u. Decker Str. 17b
D-65510 Idstein
Germany

Tel: +49-(0)6126-9575-416
E-Mail: sales@edition-printer.de
Web: www.edition-printer.de

