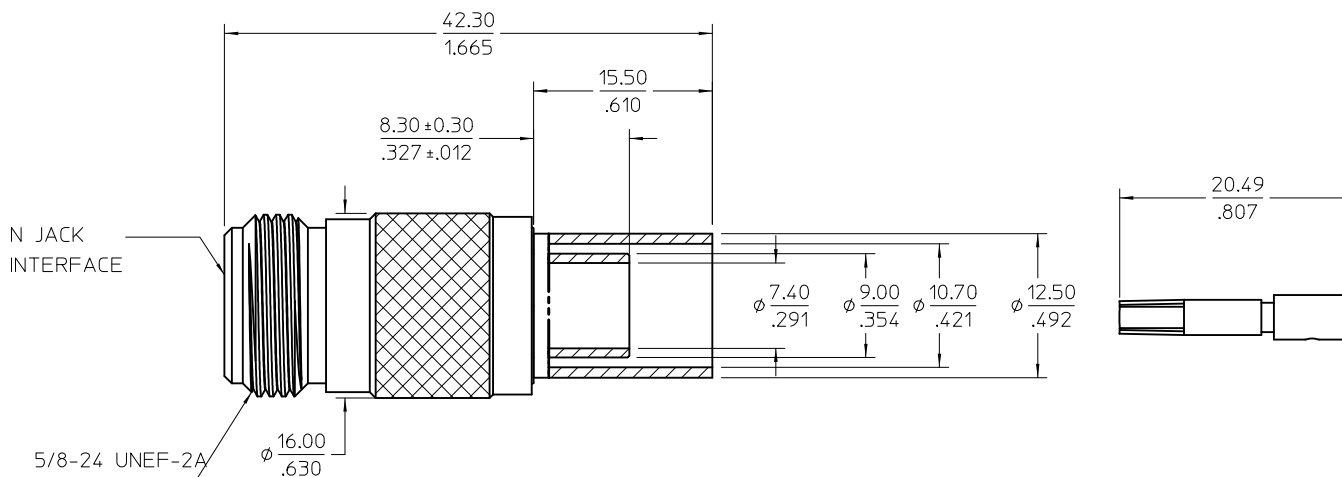
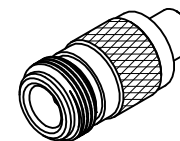


MATERIALS AND FINISHES

BODY, REAR BODY, CRIMP TUBE BRASS  
PLATED TRI-METAL(Cu,Tin, Zn)

CENTER CONTACT BERYLLIUM COPPER  
PLATED GOLD

INSULATOR TEFLON



PRE-RELEASE  
REFERENCE  
USE ONLY

BODY PLATING CHG  
TRI-METAL WAS  
MX7 OVER SILVER  
PDR1109887

EC NO: 2011/10/04  
DRAWN BY: YCHENG  
CHKD: KERRIE  
APPR: KERRIE

QUALITY SYMBOLS  
▽=0  
▽=0

GENERAL TOLERANCES (UNLESS SPECIFIED)	
mm	INCH
4 PLACES ± .004	± .001
3 PLACES ± .005	± .001
2 PLACES ± .006	± .001
1 PLACE ± .007	± .001
ANGULAR ± 2 °	

DRAFT WHERE APPLICABLE  
MUST REMAIN  
WITHIN DIMENSIONS

DIMENSION STYLE	
MM/IN	SCALE
DRAWN BY: YCHENG	DATE: 2011/09/21
CHECKED BY: KERRIE	DATE: 2011/9/21
APPROVED BY:	DATE:

DESIGN UNITS	THIRD ANGLE PROJECTION
METRIC	THIRD ANGLE PROJECTION
TITLE: N JACK STR. 50 OHMS RG213 CABLE TYPE N-JC	
MOLEX MOLEX INCORPORATED	
MATERIAL NO. SEE TABLE	DOCUMENT NO. SD-73276-409
SIZE C	SHEET NO. 1 OF 1