

MATERIALS AND FINISHES:

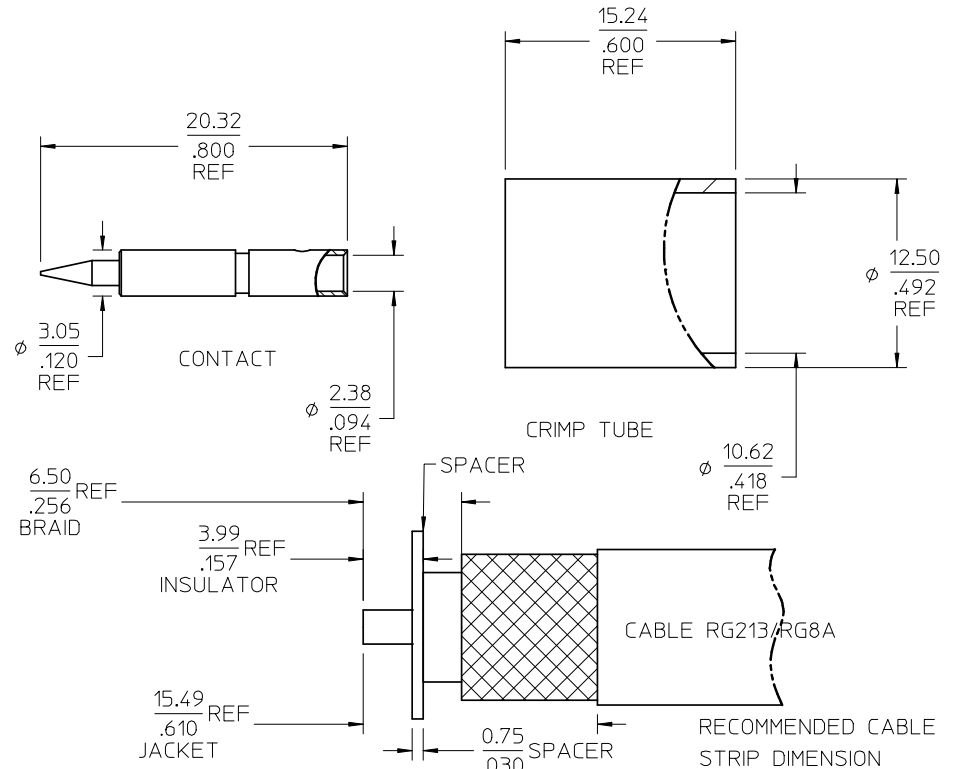
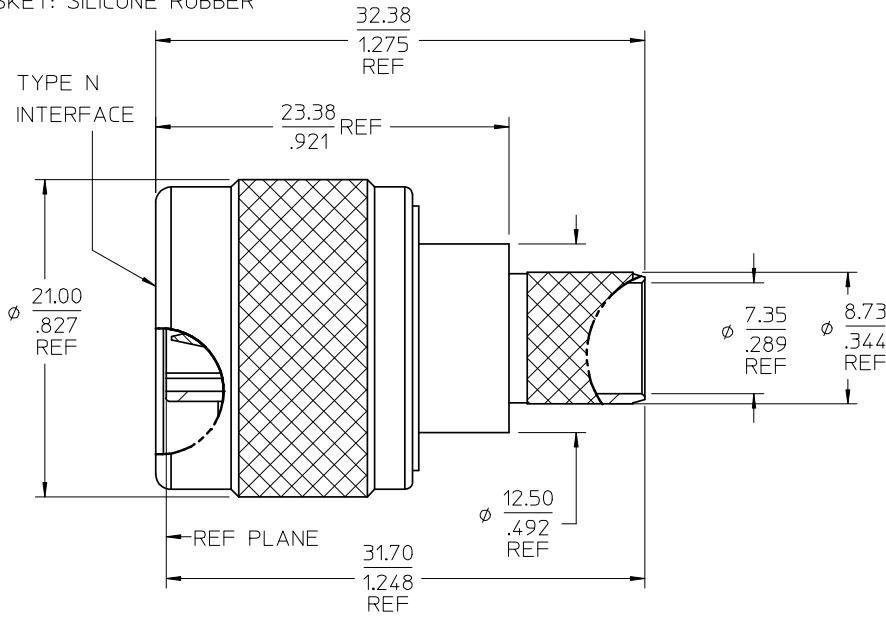
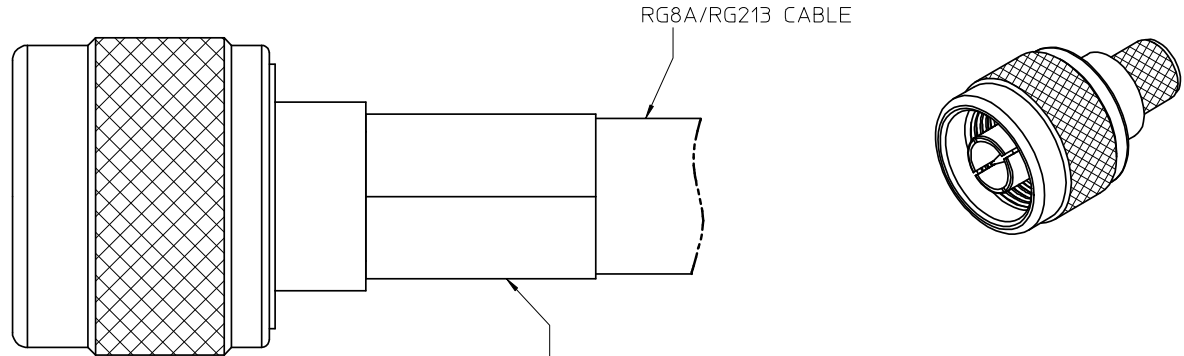
BODY: BRASS  
PLATED NICKEL

CONTACT: BRASS  
PLATED GOLD

INSULATOR: TEFLON

COUPLING NUT: BRASS  
PLATED NICKEL

GASKET: SILICONE RUBBER



PART #: 73100-0041

ES-89675-3020	N INTERFACE
PS-89675-0920	ELEC/MECH PERFORMANCE
SPECIFICATION	DESCRIPTION

CHG: REDREW IN SD ADDED SPACER TO CABLE PREP EC NO: URF2008-0314 DRWN: JWIENER 2007/12/10 CHKD: SSSHAH 2007/12/10 APPR: JWIENER 2007/12/10 REV: A1	QUALITY SYMBOLS	GENERAL TOLERANCES (UNLESS SPECIFIED)	DIMENSION STYLE	SCALE	DESIGN UNITS	THIRD ANGLE PROJECTION	
	▽=0 ▽=0	mm INCH 4 PLACES ± --- ± --- 3 PLACES ± --- ± --- 2 PLACES ± --- ± --- 1 PLACE ± --- ± --- ANGULAR ± 2°	MM/IN	DRAWN BY DATE R. FIELDS 1993/05/13 CHECKED BY DATE APPROVED BY DATE	TITLE	METRIC	N PLUG CRIMP STYLE RG8A, RG213
		DRAFT WHERE APPLICABLE MUST REMAIN WITHIN DIMENSIONS	MATERIAL NO.	MOLEX INCORPORATED		SHEET NO.	1 OF 1
			731000041	SD-73100-0041			

THIS DRAWING CONTAINS INFORMATION THAT IS PROPRIETARY TO MOLEX INCORPORATED AND SHOULD NOT BE USED WITHOUT WRITTEN PERMISSION