

Metallized Polypropylene (PP) - Capacitors in Cylindrical Case MKP 6 with High Volume/Capacitance Ratio MKP 6 HP with Higher Current Carrying Capability

Special Features

- Very high volume/capacitance ratio
- Self-healing properties
- With cylindrical aluminium case for bus bar mounting
- Dry construction without electrolyte or oil
- No internal fuse required
- Negative capacitance change versus temperature
- Very low dielectric absorption
- According to RoHS 2011/65/EU
- Customer-specific capacitances or voltages on request

Typical Applications

DC capacitors with high capacitances for applications in power electronics also at non-sinusoidal voltages and currents e.g. in

- Wind power systems
- Inverters

Construction

Dielectric:

Polypropylene (PP) film

Capacitor electrodes:

Vacuum-deposited

Internal construction:



Encapsulation:

Aluminium case with PU-sealing, UL 94 V-0

Terminations:

Screw connection (male or female), screw bolt M12 x 16.

Marking:

Colour: Metallic. Marking: Black on silver label.

Electrical Data

Capacitance range: 75 μF to 4920 μF
Rated voltages: 600 VDC, 700 VDC, 900 VDC, 1100 VDC, 1300 VDC, 1500 VDC
Capacitance tolerances: $\pm 20\%$, $\pm 10\%$ ($\pm 5\%$ available subject to special enquiry)
Operating temperature range: -40°C to $+85^\circ\text{C}$
Insulation resistance at $+20^\circ\text{C}$: ≥ 5000 sec ($\text{M}\Omega \times \mu\text{F}$) (mean value: 20 000 sec)
 Measuring voltage: 100 V/1 min.

Dielectric loss factor

$\tan \delta_0: 2 \times 10^{-4}$

Test voltage between terminals

at $+25^\circ\text{C}$: $1.5 U_{rDC}$, 10sec

Test voltage between terminals and case

at $+25^\circ\text{C}$ and 50 Hz: $3 kV_{AC}$, 1 min.

Dielectric absorption:

0.05 %

Reliability:

Operational life > 100 000 hours

Failure rate < 50 fit (hot spot $\leq 70^\circ\text{C}$)

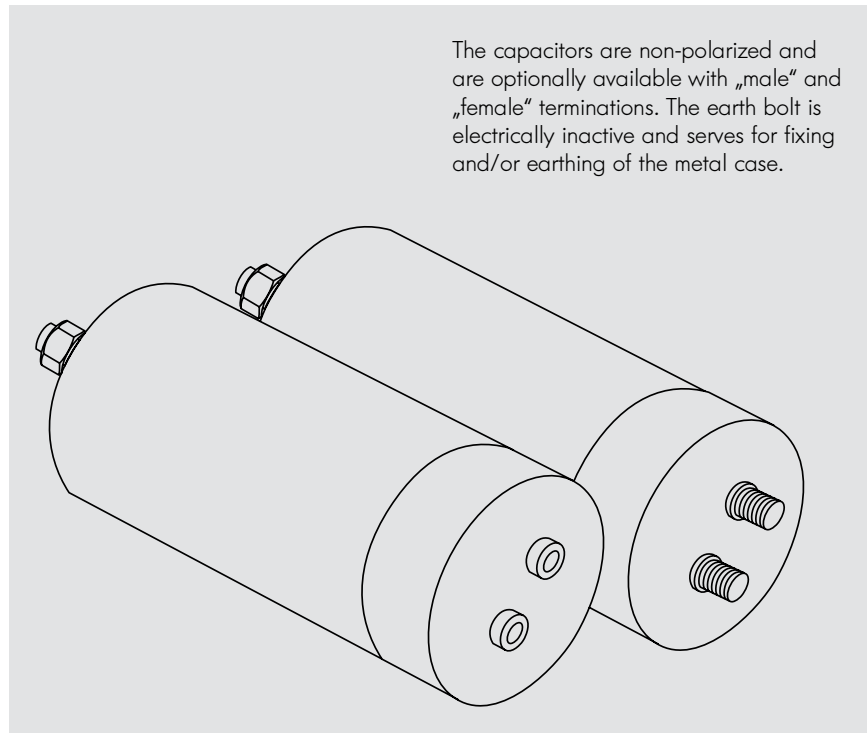
Mounting Recommendation

Excessive mechanical strain, e.g. pressure or shock onto the capacitor body, is to be avoided during mounting and usage of the capacitors.

Packing

Transportation-safe packing in cardboard boxes.

For further details and graphs please refer to Technical Information.



Continuation

General Data

U _R	C _N	D x L mm	I _{rms} (max.)* A	ESR (1 kHz)* mΩ	L _e nH	Approx. weight g	Bestellnummer
600 VDC	320 μF	85 x 60	25	2.1	< 70	380	DCP6I06320EB00_
	460 "	85 x 76	25	2.1	< 70	480	DCP6I06460EC00_
	520 "	85 x 85	30	2.0	< 70	540	DCP6I06520ED00_
	620 "	85 x 95	30	1.9	< 70	600	DCP6I06620EE00_
	760 "	85 x 110	30	1.7	< 70	690	DCP6I06760EF00_
	780 "	85 x 120	30	1.7	< 70	700	DCP6I06780E000_
	950 "	85 x 132	35	1.8	< 70	850	DCP6I06950E100_
	1030 "	85 x 140	35	1.8	< 70	880	DCP6I07103EG00_
	1220 "	116 x 95	40	1.7	< 70	1200	DCP6I07122EN00_
	1500 "	116 x 110	40	1.7	< 70	1390	DCP6I07150EO00_
	1640 "	116 x 120	40	1.6	< 70	1510	DCP6I07164EP00_
	1890 "	116 x 132	40	1.6	< 70	1660	DCP6I07189EQ00_
	2030 "	116 x 140	40	1.6	< 70	1760	DCP6I07203ER00_
700 VDC	230 μF	85 x 60	25	1.9	< 70	380	DCP6K06230EB00_
	330 "	85 x 76	25	1.9	< 70	480	DCP6K06330EC00_
	380 "	85 x 85	30	1.7	< 70	540	DCP6K06380ED00_
	450 "	85 x 95	30	1.7	< 70	600	DCP6K06450EE00_
	550 "	85 x 110	30	1.8	< 70	690	DCP6K06550EF00_
	585 "	85 x 120	30	1.8	< 70	700	DCP6K06585E000_
	690 "	85 x 132	35	1.8	< 70	850	DCP6K06690E100_
	740 "	85 x 140	35	1.8	< 70	880	DCP6K06740EG00_
	890 "	116 x 95	40	1.7	< 70	1200	DCP6K06890EN00_
	1090 "	116 x 110	40	1.7	< 70	1390	DCP6K07109EO00_
	1190 "	116 x 120	40	1.8	< 70	1510	DCP6K07119EP00_
	1370 "	116 x 132	40	1.8	< 70	1660	DCP6K07137EQ00_
	1470 "	116 x 140	40	1.8	< 70	1760	DCP6K07147ER00_
900 VDC	190 μF	85 x 60	30	1.9	< 70	380	DCP6N06190EB00_
	270 "	85 x 76	30	1.9	< 70	480	DCP6N06270EC00_
	315 "	85 x 85	30	1.8	< 70	540	DCP6N06315ED00_
	360 "	85 x 95	30	1.7	< 70	600	DCP6N06360EE00_
	450 "	85 x 110	30	1.7	< 70	690	DCP6N06450EF00_
	480 "	85 x 120	35	1.8	< 70	700	DCP6N06480E000_
	550 "	85 x 132	35	1.8	< 70	850	DCP6N06550E100_
	620 "	85 x 140	35	1.8	< 70	880	DCP6N06620EG00_
	730 "	116 x 95	40	1.7	< 70	1200	DCP6N06730EN00_
	900 "	116 x 110	40	1.7	< 70	1390	DCP6N06900EO00_
	980 "	116 x 120	40	1.8	< 70	1510	DCP6N06980EP00_
	1130 "	116 x 132	40	1.8	< 70	1660	DCP6N07113EQ00_
	1200 "	116 x 140	40	1.8	< 70	1760	DCP6N07120ER00_
1100 VDC	120 μF	85 x 60	30	2.0	< 70	380	DCP6P06120EB00_
	170 "	85 x 76	30	2.0	< 70	480	DCP6P06170EC00_
	200 "	85 x 85	30	1.9	< 70	540	DCP6P06200ED00_
	230 "	85 x 95	30	1.9	< 70	600	DCP6P06230EE00_
	290 "	85 x 110	30	1.8	< 70	690	DCP6P06290EF00_
	325 "	85 x 120	40	1.8	< 70	700	DCP6P06325E000_
	360 "	85 x 132	40	1.8	< 70	850	DCP6P06360E100_
	390 "	85 x 140	40	2.0	< 70	880	DCP6P06390EG00_
	470 "	116 x 95	40	1.8	< 70	1200	DCP6P06470EN00_
	580 "	116 x 110	40	1.8	< 70	1390	DCP6P06580EO00_
	630 "	116 x 120	40	1.7	< 70	1510	DCP6P06630EP00_
	720 "	116 x 132	40	1.7	< 70	1660	DCP6P06720EQ00_
	780 "	116 x 140	40	1.6	< 70	1760	DCP6P06780ER00_

Contacts can handle: peak currents \hat{I} up to 5 kA
surge currents I_S up to 20 kA

Customer-specific capacitances or voltages on request

* General guide

Part number completion:	
Tolerance:	20 % = M
	10 % = K
	5 % = J
Packing:	bulk = S
Connection:	male = OM
	female = OF

Rights reserved to amend design data without prior notification.

Continuation

General Data

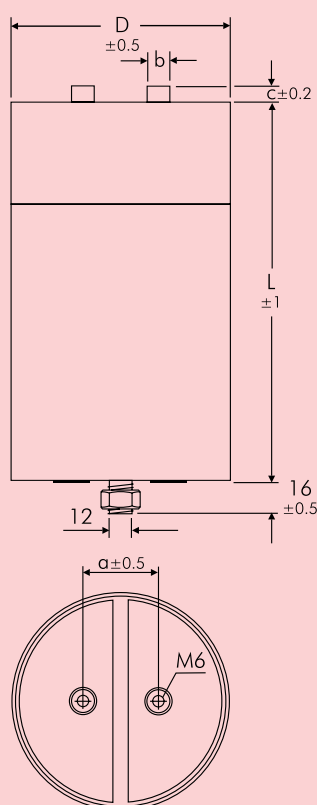
U_R	C_N	D x L mm	I_{rms} (max.)* A	ESR (1 kHz)* m Ω	L_e nH	Approx. weight g	Part number
1300 VDC	85 μ F	85 x 60	30	2.1	< 70	380	DCP6R25850EB00_-----
	120 "	85 x 76	30	2.1	< 70	480	DCP6R26120EC00_-----
	135 "	85 x 85	30	1.9	< 70	540	DCP6R26135ED00_-----
	160 "	85 x 95	30	1.9	< 70	600	DCP6R26160EE00_-----
	200 "	85 x 110	30	1.8	< 70	690	DCP6R26200EF00_-----
	215 "	85 x 120	30	1.8	< 70	700	DCP6R26215EO00_-----
	250 "	85 x 132	40	2.2	< 70	850	DCP6R26250E100_-----
	270 "	85 x 140	40	2.2	< 70	880	DCP6R26270EG00_-----
	320 "	116 x 95	40	1.8	< 70	1200	DCP6R26320EN00_-----
	390 "	116 x 110	40	1.8	< 70	1390	DCP6R26390EO00_-----
	430 "	116 x 120	40	1.7	< 70	1510	DCP6R26430EP00_-----
	490 "	116 x 132	40	1.7	< 70	1660	DCP6R26490EQ00_-----
	530 "	116 x 140	40	1.6	< 70	1760	DCP6R26530ER00_-----
	1500 VDC	75 μ F	85 x 60	25	2.5	< 70	380
110 "		85 x 76	25	2.5	< 70	480	DCP6S06110EC00_-----
120 "		85 x 85	25	2.3	< 70	540	DCP6S06120ED00_-----
145 "		85 x 95	30	2.3	< 70	600	DCP6S06145EE00_-----
180 "		85 x 110	30	2.3	< 70	690	DCP6S06180EF00_-----
195 "		85 x 120	40	2.4	< 70	700	DCP6S06195EO00_-----
225 "		85 x 132	40	2.4	< 70	850	DCP6S06225E100_-----
240 "		85 x 140	40	2.5	< 70	880	DCP6S06240EG00_-----
290 "		116 x 95	40	1.8	< 70	1200	DCP6S06290EN00_-----
355 "		116 x 110	40	1.8	< 70	1390	DCP6S06355EO00_-----
390 "		116 x 120	40	1.7	< 70	1510	DCP6S06390EP00_-----
445 "		116 x 132	40	1.7	< 70	1660	DCP6S06445EQ00_-----
480 "		116 x 140	40	1.7	< 70	1760	DCP6S06480ER00_-----

Contacts can handle: peak currents \hat{I} up to 5 kA
surge currents I_S up to 20 kA

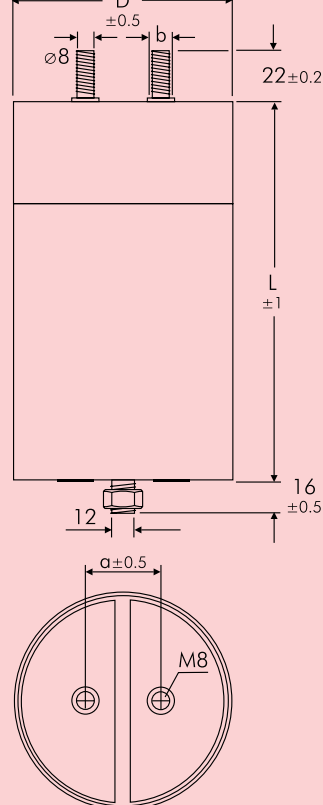
Customer-specific capacitances or voltages on request

* General guide

female



male



Part number completion:

Tolerance: 20 % = M
10 % = K
5 % = J
Packing: bulk = S
Connection: male = 0M
female = 0F

D	L	a	b	c
85	60	32	12	6
85	76	32	12	6
85	85	32	12	6
85	95	32	12	6
85	110	32	12	6
85	120	32	12	6
85	132	32	12	6
85	140	32	12	6
116	95	50	14	5
116	110	50	14	5
116	120	50	14	5
116	132	50	14	5
116	140	50	14	5

Dims. in mm.

Rights reserved to amend design data without prior notification.

Continuation: Versions with increased dimensioning for higher current carrying capability

General Data

U _R	C _N	D x L mm	I _{rms} (max.)* A	ESR (1 kHz)* mΩ	L _e nH	Approx. weight g	Part number
600 VDC	640 μF	85 x 110	50	1.3	< 50	690	DCHPIO6640EF00_
	920 "	85 x 140	50	1.3	< 50	880	DCHPIO6920EG00_
	1040 "	85 x 155	60	1.3	< 50	980	DCHPIO7104EH00_
	1240 "	85 x 185	60	1.3	< 50	1165	DCHPIO7124EI00_
	1520 "	85 x 210	60	1.2	< 50	1400	DCHPIO7152E200_
	1660 "	85 x 235	60	1.2	< 50	1480	DCHPIO7166EJ00_
	1900 "	85 x 252	60	1.2	< 50	1590	DCHPIO7190EK00_
	2060 "	85 x 260	60	1.2	< 50	1640	DCHPIO7206EL00_
	2490 "	85 x 345	70	1.0	< 50	2190	DCHPIO7249EM00_
	1260 "	116 x 110	80	1.2	< 50	1385	DCHPIO7126EO00_
	1820 "	116 x 140	80	1.2	< 50	1765	DCHPIO7182ER00_
	2060 "	116 x 158	80	1.1	< 50	1990	DCHPIO7206ES00_
	2440 "	116 x 185	80	1.1	< 50	2330	DCHPIO7244ET00_
	3000 "	116 x 215	80	1.0	< 50	2710	DCHPIO7300EU00_
	3280 "	116 x 230	90	1.0	< 50	2900	DCHPIO7328E700_
	3780 "	116 x 255	90	1.0	< 50	3210	DCHPIO7378EV00_
	4060 "	116 x 295	90	1.0	< 50	3720	DCHPIO7406EW00_
4920 "	116 x 342	100	0.7	< 50	4350	DCHPIO7492EX00_	
700 VDC	460 μF	85 x 110	50	1.3	< 50	690	DCHPK06460EF00_
	660 "	85 x 140	50	1.3	< 50	880	DCHPK06660EG00_
	760 "	85 x 155	60	1.2	< 50	980	DCHPK06760EH00_
	900 "	85 x 185	60	1.2	< 50	1165	DCHPK06900EI00_
	1100 "	85 x 210	60	1.2	< 50	1400	DCHPK07110E200_
	1200 "	85 x 235	60	1.2	< 50	1480	DCHPK07120EJ00_
	1380 "	85 x 252	70	1.1	< 50	1590	DCHPK07138EK00_
	1480 "	85 x 260	70	1.1	< 50	1640	DCHPK07148EL00_
	1800 "	85 x 345	80	1.0	< 50	2190	DCHPK07180EM00_
	920 "	116 x 110	80	1.3	< 50	1385	DCHPK06920EO00_
	1320 "	116 x 140	80	1.3	< 50	1765	DCHPK07132ER00_
	1500 "	116 x 158	80	1.3	< 50	1990	DCHPK07150ES00_
	1780 "	116 x 185	80	1.2	< 50	2330	DCHPK07178ET00_
	2180 "	116 x 215	90	1.2	< 50	2710	DCHPK07218EU00_
	2380 "	116 x 230	90	1.0	< 50	2900	DCHPK07238E700_
	2740 "	116 x 255	90	1.0	< 50	3210	DCHPK07274EV00_
	2940 "	116 x 295	90	1.0	< 50	3720	DCHPK07294EW00_
3570 "	116 x 342	110	0.7	< 50	4350	DCHPK07357EX00_	
900 VDC	380 μF	85 x 110	50	1.4	< 50	690	DCHPN06380EF00_
	540 "	85 x 140	50	1.4	< 50	880	DCHPN06540EG00_
	630 "	85 x 155	60	1.3	< 50	980	DCHPN06630EH00_
	720 "	85 x 185	60	1.3	< 50	1165	DCHPN06720EI00_
	900 "	85 x 210	60	1.1	< 50	1400	DCHPN06900E200_
	1000 "	85 x 235	70	1.0	< 50	1480	DCHPN07100EJ00_
	1140 "	85 x 252	70	0.9	< 50	1590	DCHPN07114EK00_
	1240 "	85 x 260	70	0.9	< 50	1640	DCHPN07124EL00_
	1500 "	85 x 345	80	0.7	< 50	2190	DCHPN07150EM00_

Contacts can handle: peak currents \hat{I} up to 10 kA
surge currents I_s up to 40 kA

Customer-specific capacitances or voltages on request

* General guide

Part number completion:	
Tolerance:	20 % = M
	10 % = K
	5 % = J
Packing:	bulk = S
Connection:	male = 0M
	female = 0F

Rights reserved to amend design data without prior notification.

Continuation page 119

Continuation

General Data

U_R	C_N	D x L mm	I_{rms} (max.)* A	ESR (1 kHz)* m Ω	L_e nH	Approx. weight g	Part number
900 VDC	760 μ F	116 x 110	80	1.3	< 50	1385	DCHPN06760EO00_
	1100 "	116 x 140	80	1.3	< 50	1765	DCHPN07110ER00_
	1240 "	116 x 158	80	1,3	< 50	1990	DCHPN07124ES00_
	1460 "	116 x 185	80	1.2	< 50	2330	DCHPN07146ET00_
	1800 "	116 x 215	90	1.2	< 50	2710	DCHPN07180EU00_
	1960 "	116 x 230	90	1.0	< 50	2900	DCHPN07196E700_
	2260 "	116 x 255	90	1.0	< 50	3210	DCHPN07226EV00_
	2400 "	116 x 295	90	1.0	< 50	3720	DCHPN07240EW00_
	2940 "	116 x 342	110	0.7	< 50	4350	DCHPN07294EX00_
	1100 VDC	240 μ F	85 x 110	50	1.3	< 50	690
340 "		85 x 140	50	1.2	< 50	880	DCHPP06340EG00_
400 "		85 x 155	50	1.2	< 50	980	DCHPP06400EH00_
460 "		85 x 185	50	1.2	< 50	1165	DCHPP06460EI00_
580 "		85 x 210	60	1.2	< 50	1400	DCHPP06580E200_
640 "		85 x 235	60	1.1	< 50	1480	DCHPP06640EJ00_
720 "		85 x 252	60	1.1	< 50	1590	DCHPP06720EK00_
780 "		85 x 260	60	1.2	< 50	1640	DCHPP06780EL00_
960 "		85 x 345	80	1.0	< 50	2190	DCHPP06960EM00_
480 "		116 x 110	80	1.4	< 50	1385	DCHPP06480EO00_
700 "		116 x 140	80	1.3	< 50	1765	DCHPP06700ER00_
780 "		116 x 158	80	1.3	< 50	1990	DCHPP06780ES00_
940 "		116 x 185	80	1.3	< 50	2330	DCHPP06940ET00_
1160 "		116 x 215	90	1.2	< 50	2710	DCHPP07116EU00_
1260 "		116 x 230	90	1.2	< 50	2900	DCHPP07126E700_
1440 "		116 x 255	90	1.1	< 50	3210	DCHPP07144EV00_
1560 "		116 x 295	90	1.0	< 50	3720	DCHPP07156EV00_
1890 "		116 x 342	110	0.8	< 50	4350	DCHPP07189EX00_
1300 VDC	170 μ F	85 x 110	50	1.3	< 50	690	DCHPR26170EF00_
	240 "	85 x 140	50	1.3	< 50	880	DCHPR26240EG00_
	270 "	85 x 155	50	1.2	< 50	980	DCHPR26270EH00_
	320 "	85 x 185	60	1.2	< 50	1165	DCHPR26320EI00_
	400 "	85 x 210	60	1.2	< 50	1400	DCHPR26400E200_
	440 "	85 x 235	60	1.1	< 50	1480	DCHPR26440EJ00_
	500 "	85 x 252	60	1.1	< 50	1590	DCHPR26500EK00_
	540 "	85 x 260	60	1.2	< 50	1640	DCHPR26540EL00_
	660 "	85 x 345	80	1.0	< 50	2190	DCHPR26660EM00_
	330 "	116 x 110	80	1.4	< 50	1385	DCHPR26330EO00_
	480 "	116 x 140	80	1.4	< 50	1765	DCHPR26480ER00_
	540 "	116 x 158	80	1.3	< 50	1990	DCHPR26540ES00_
	640 "	116 x 185	80	1.3	< 50	2330	DCHPR26640ET00_
	780 "	116 x 215	90	1.2	< 50	2710	DCHPR26780EU00_
	860 "	116 x 230	90	1.2	< 50	2900	DCHPR26860E700_
	980 "	116 x 255	90	1.1	< 50	3210	DCHPR26980EV00_
	1060 "	116 x 295	90	1.1	< 50	3720	DCHPR27106EV00_
	1290 "	116 x 342	110	0.8	< 50	4350	DCHPR27129EX00_

Contacts can handle: peak currents \hat{I} up to 10 kA
surge currents I_S up to 40 kA

Customer-specific capacitances or voltages on request

* General guide

Part number completion:

Tolerance: 20 % = M
10 % = K
5 % = J
Packing: bulk = S
Connection: male = 0M
female = 0F

Rights reserved to amend design data without prior notification.

Continuation page 120

Continuation

General Data

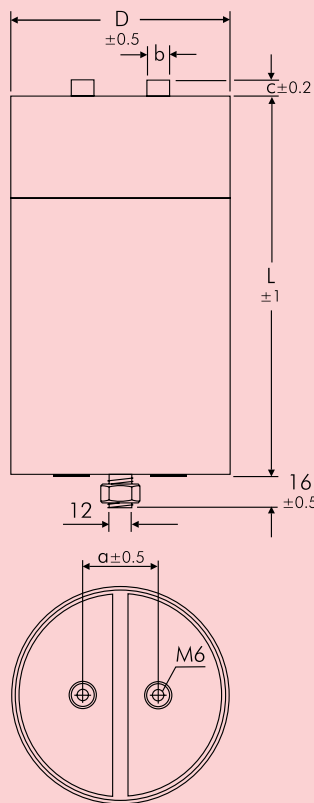
U_R	C_N	D x L mm	I_{rms} (max.)* A	ESR (1 kHz)* m Ω	L_e nH	Approx. weight g	Part number
1500 VDC	150 μ F	85 x 110	50	1.3	< 50	690	DCHPS06150EF00_
	220 "	85 x 140	50	1.3	< 50	880	DCHPS06220EG00_
	240 "	85 x 155	50	1.2	< 50	980	DCHPS06240EH00_
	290 "	85 x 185	60	1.2	< 50	1165	DCHPS06290EI00_
	360 "	85 x 210	60	1.2	< 50	1400	DCHPS06360EJ00_
	390 "	85 x 235	60	1.1	< 50	1480	DCHPS06390EK00_
	450 "	85 x 252	60	1.1	< 50	1590	DCHPS06450EL00_
	480 "	85 x 260	60	1.1	< 50	1640	DCHPS06480EM00_
	585 "	85 x 345	80	1.0	< 50	2190	DCHPS06585EO00_
	300 "	116 x 110	80	1.5	< 50	1385	DCHPS06300EP00_
	430 "	116 x 140	80	1.4	< 50	1765	DCHPS06430ER00_
	490 "	116 x 158	80	1.4	< 50	1990	DCHPS06490ES00_
	580 "	116 x 185	80	1.4	< 50	2330	DCHPS06580ET00_
	710 "	116 x 215	90	1.3	< 50	2710	DCHPS06710EU00_
	780 "	116 x 230	90	1.2	< 50	2900	DCHPS06780EV00_
	890 "	116 x 255	90	1.2	< 50	3210	DCHPS06890EW00_
	960 "	116 x 295	90	1.1	< 50	3720	DCHPS06960EX00_
1170 "	116 x 342	110	0.8	< 50	4350	DCHPS07117EX00_	

Contacts can handle: peak currents \hat{I} up to 10 kA
surge currents I_S up to 40 kA

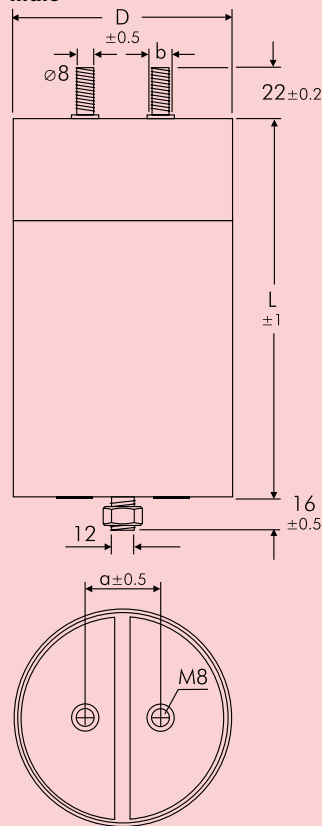
Customer-specific capacitances or voltages on request

* General guide

female



male



Part number completion:

Tolerance: 20 % = M

10 % = K

5 % = J

Packing: bulk = S

Connection: male = OM

female = OF

D	L	a	b	c
85	110	32	12	6
85	140	32	12	6
85	155	32	12	6
85	185	32	12	6
85	210	32	12	6
85	235	32	12	6
85	252	32	12	6
85	260	32	12	6
85	345	32	12	6
116	110	50	14	5
116	140	50	14	5
116	158	50	14	5
116	185	50	14	5
116	215	50	14	5
116	230	50	14	5
116	255	50	14	5
116	295	50	14	5
116	342	50	14	5

Dims. in mm.

Rights reserved to amend design data without prior notification.



WIMA Part Number System

A WIMA part number consists of 18 digits and is composed as follows:

- Field 1 - 4: Type description
- Field 5 - 6: Rated voltage
- Field 7 - 10: Capacitance
- Field 11 - 12: Size and PCM
- Field 13 - 14: Version code (e.g. Snubber versions)
- Field 15: Capacitance tolerance
- Field 16: Packing
- Field 17 - 18: Pin length (untaped)

1	2	3	4	5	6	7	8	9	10	11	12	13	14	15	16	17	18
M	K	S	2	C	0	2	1	0	0	1	A	0	0	M	S	S	D
MKS 2				63 VDC		0.01 µF			2.5x6.5x7.2		-		20%	bulk	6-2		

<p>Type description:</p> <p>SMD-PET = SMDT SMD-PPS = SMDI FKP 02 = FKP0 MKS 02 = MKS0 FKS 2 = FKS2 FKP 2 = FKP2 MKS 2 = MKS2 MKS 2 = MKP2 FKS 3 = FKS3 FKP 3 = FKP3 MKS 4 = MKS4 MKP 4 = MKP4 MKP 10 = MKP1 FKP 4 = FKP4 FKP 1 = FKP1 MKP-X2 = MKX2 MKP-X2 R = MKXR MKP-Y2 = MKY2 MP 3-X2 = MPX2 MP 3-X1 = MPX1 MP 3-Y2 = MPY2 MP 3R-Y2 = MPRY Snubber MKP = SNMP Snubber FKP = SNFP GTO MKP = GTOM DC-LINK MKP 3 = DCP3 DC-LINK MKP 4 = DCP4 DC-LINK MKP 4S = DCPS DC-LINK MKP 5 = DCP5 DC-LINK MKP 6 = DCP6 DC-LINK HC = DCH_ DC-LINK HY = DCHY</p>	<p>Rated voltage:</p> <p>50 VDC = B0 63 VDC = C0 100 VDC = D0 250 VDC = F0 400 VDC = G0 450 VDC = H0 600 VDC = I0 630 VDC = J0 700 VDC = K0 800 VDC = L0 850 VDC = M0 900 VDC = N0 1000 VDC = O1 1100 VDC = P0 1200 VDC = Q0 1250 VDC = R0 1500 VDC = S0 1600 VDC = T0 2000 VDC = U0 2500 VDC = V0 3000 VDC = W0 4000 VDC = X0 6000 VDC = Y0 250 VAC = 0W 275 VAC = 1W 300 VAC = 2W 400 VAC = 3W 440 VAC = 4W 500 VAC = 5W ...</p>	<p>Capacitance:</p> <p>22 pF = 0022 47 pF = 0047 100 pF = 0100 150 pF = 0150 220 pF = 0220 330 pF = 0330 470 pF = 0470 680 pF = 0680 1000 pF = 1100 1500 pF = 1150 2200 pF = 1220 3300 pF = 1330 4700 pF = 1470 6800 pF = 1680 0.01 µF = 2100 0.022 µF = 2220 0.047 µF = 2470 0.1 µF = 3100 0.22 µF = 3220 0.47 µF = 3470 1 µF = 4100 2.2 µF = 4220 4.7 µF = 4470 10 µF = 5100 22 µF = 5220 47 µF = 5470 100 µF = 6100 220 µF = 6220 1000 µF = 7100 ...</p>	<p>Size:</p> <p>4.8x3.3x3 Size 1812 = KA 4.8x3.3x4 Size 1812 = KB 5.7x5.1x3.5 Size 2220 = QA 5.7x5.1x4.5 Size 2220 = QB 7.2x6.1x3 Size 2824 = TA 7.2x6.1x5 Size 2824 = TB 10.2x7.6x5 Size 4030 = VA 12.7x10.2x6 Size 5040 = XA 15.3x13.7x7 Size 6054 = YA 2.5x7x4.6 PCM 2.5 = 0B 3x7.5x4.6 PCM 2.5 = 0C 2.5x6.5x7.2 PCM 5 = 1A 3x7.5x7.2 PCM 5 = 1B 2.5x7x10 PCM 7.5 = 2A 3x8.5x10 PCM 7.5 = 2B 3x9x13 PCM 10 = 3A 4x9x13 PCM 10 = 3C 5x11x18 PCM 15 = 4B 6x12.5x18 PCM 15 = 4C 5x14x26.5 PCM 22.5 = 5A 6x15x26.5 PCM 22.5 = 5B 9x19x31.5 PCM 27.5 = 6A 11x21x31.5 PCM 27.5 = 6B 9x19x41.5 PCM 37.5 = 7A 11x22x41.5 PCM 37.5 = 7B 94x49x182 DCH_ = H0 94x77x182 DCH_ = H1 ...</p> <p>Version code:</p> <p>Standard = 00 Version A1 = 1A Version A1.1.1 = 1B Version A2 = 2A ...</p>	<p>Tolerance:</p> <p>±20% = M ±10% = K ±5% = J ±2.5% = H ±1% = E ...</p> <p>Packing:</p> <p>AMMO H16.5 340x340 = A AMMO H16.5 490x370 = B AMMO H18.5 340x340 = C AMMO H18.5 490x370 = D REEL H16.5 360 = F REEL H16.5 500 = H REEL H18.5 360 = I REEL H18.5 500 = J ROLL H16.5 = N ROLL H18.5 = O BLISTER W12 180 = P BLISTER W12 330 = Q BLISTER W16 330 = R BLISTER W24 330 = T Bulk/TPS Standard = S ...</p> <p>Pin length (untaped)</p> <p>3.5 ±0.5 = C9 6-2 = SD 16 ±1 = P1 ...</p>
---	--	---	--	--

The data on this page is not complete and serves only to explain the part number system. Part number information is listed on the pages of the respective WIMA range.