

C55

High Density Circular Connectors



TECHNICAL FEATURES

HYPERTAC® CONTACT

Low insertion/ extraction forces

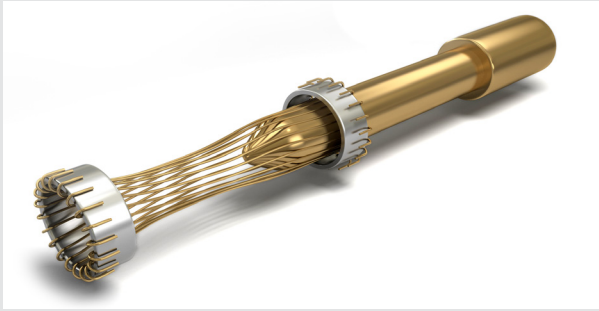
Long contact life

Higher current ratings

Immunity to shock & vibration

Low cost of ownership and low power consumption

Reliability under harsh environmental conditions



CONNECTOR CHARACTERISTICS

Number of contacts: 55

Contact diameter: 0.50 mm

Current rating: 2A

Contact resistance: <5 mΩ

Receptacle contact termination: Solder Cup, Straight PCB

Plug contact termination: Solder cup

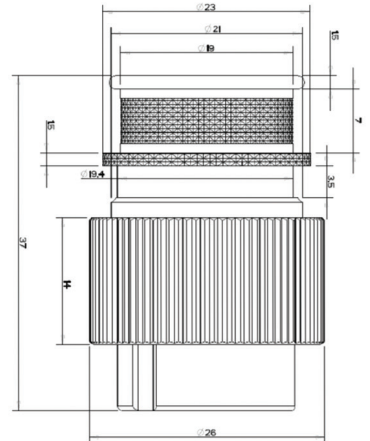
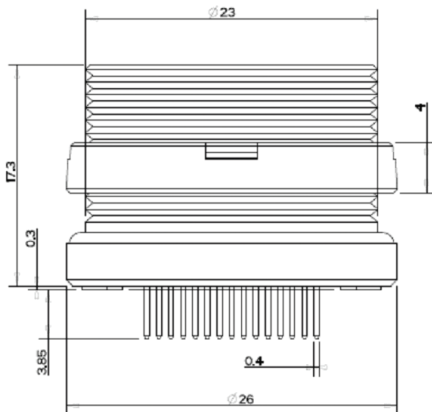
AWG Contact: 26

Cable diameter range: max 20 mm

Insulator: PPS type GST-40F per MIL-M-245719 V0 per UL 94

Connector body: Stainless steel AISI 303 as per ASTM-582

RECEPTACLE AND PLUG CONFIGURATIONS



Ref. ST1092 C55RFDC01

Ref. ST1092 C55PMSC01

OTHER AVAILABLE CONFIGURATIONS



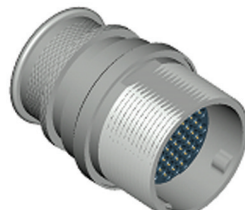
Solder cup termination
receptacle

Reverse gender
connectors



Extender

Cable harnessing with
shrinkable boot



smiths connectors

FOR MORE INFORMATION | smithsconnectors.com |



Copyright 2015 Smiths Connectors | All Rights Reserved