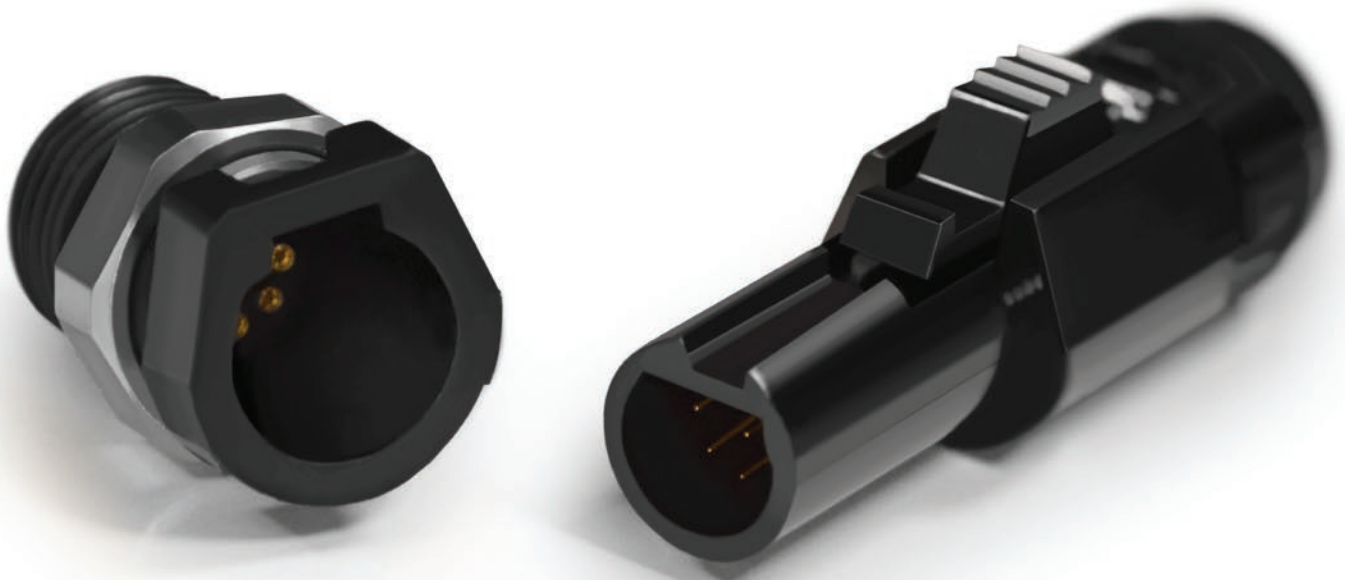


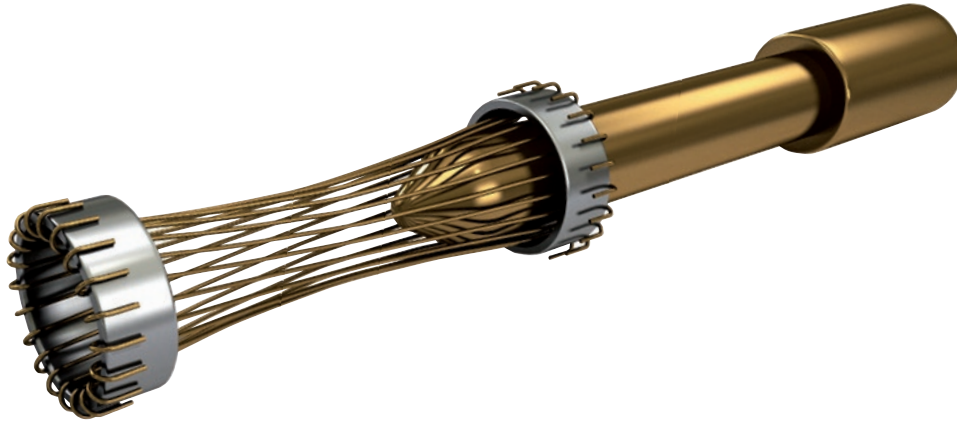
D SERIES

Circular Plastic Connectors



HYPERBOLOID TECHNOLOGY

Smiths Connectors offers an extensive range of superior contact technologies suitable for standard and custom solutions. Hypertac® (HYPERboloid conTACT) is the original superior performing hyperboloid contact technology designed for use in all applications and in harsh and demanding environments where high reliability and safety are critical. The inherent electrical and mechanical characteristics of the Hypertac hyperboloid contact ensures unrivalled performance in terms of reliability, number of mating cycles, low contact force and minimal contact resistance. The shape of the contact sleeve is formed by hyperbolically arranged contact wires, which align themselves elastically as contact lines around the pin, providing a number of linear contact paths.



FEATURES

LOW INSERTION/EXTRACTION FORCES

The angle of the socket wires allows tight control of the pin insertion and extraction forces. The spring wires are smoothly deflected to make line contact with the pin.

LONG CONTACT LIFE

The smooth and light wiping action minimizes wear on the contact surfaces. Contacts perform up to 100,000 insertion/extraction cycles with minimal degradation in performance.

LOWER CONTACT RESISTANCE

The design provides a far greater contact area and the wiping action of the wires insures a clean and polished contact surface. Our contact technology has half the resistance of conventional contact designs.

HIGHER CURRENT RATINGS

The design parameters of the contact (e.g., the number, diameter and angle of the wires) may be modified for any requirement. The number of wires can be increased so the contact area is distributed over a larger surface. Thus, the high current carried by each wire because of its intimate line contact, can be multiplied many times.

IMMUNITY TO SHOCK & VIBRATION

The low mass and resultant low inertia of the wires enable them to follow the most abrupt or extreme excursions of the pin without loss of contact. The contact area extends 360 degrees around the pin and is uniform over its entire length. The 3 dimensional symmetry of the Hypertac contact design guarantees electrical continuity in all circumstances.

BENEFITS

HIGH DENSITY INTERCONNECT SYSTEMS

Significant reductions in size and weight of sub-system designs. No additional hardware is required to overcome mating and un-mating forces.

LOW COST OF OWNERSHIP

The Hypertac contact technology will surpass most product requirements, thus eliminating the burden and cost of having to replace the connector or the entire subsystem.

LOW POWER CONSUMPTION

The lower contact resistance of our technology results in a lower voltage drop across the connector reducing the power consumption and heat generation within the system.

MAXIMUM CONTACT PERFORMANCE

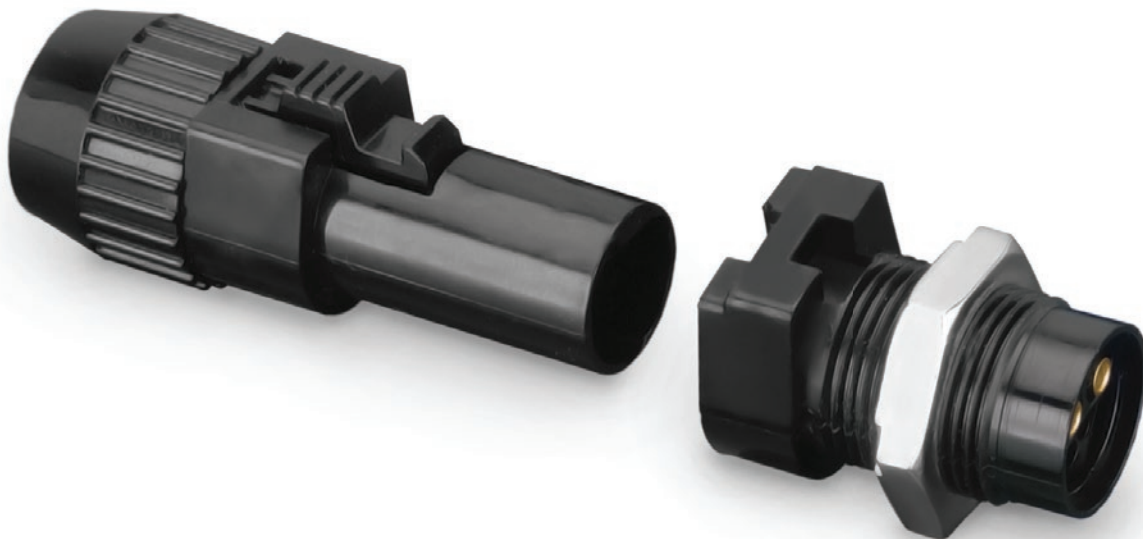
The lower contact resistance of the Hypertac contact reduces heat build-up; therefore Hypertac contacts are able to handle far greater current in smaller contact assemblies without the detrimental effects of high temperature.

RELIABILITY UNDER HARSH ENVIRONMENTS

Harsh environmental conditions require connectors that will sustain their electrical integrity even under the most demanding conditions such as shock and vibration. The Hypertac contact provides unmatched stability in demanding environments when failure is not an option.

TABLE OF CONTENTS

- D SERIES 2**
- ▶ Hyperboloid Technology 2
- ▶ Features & Benefits..... 4
- ▶ Dimensions:
 - Standard D Series 5
 - Panel Mount Receptacle 6
 - Cable Mount Receptacle 6
 - Plug 6
- ▶ General Specifications:
 - Mini D00 Series 7
 - D01 Series..... 8
 - D02 Series..... 9
 - D02 Series (Power & Signal)..... 10
 - D02 Series (Power or Coax & Signal)..... 11
- ▶ Mounting Dimensions 12
- ▶ How to Order:
 - Standard D Series 13
 - D02 Series (Power or Coax & Signal)..... 14
- ▶ Smiths Connectors Product Lines..... 15



FEATURES

- ▶ Push-button latching feature
- ▶ Available in 3 standard sizes: Mini D00, D01 and D02
- ▶ D-shaped housings
- ▶ Hybrid signal, power and coaxial contact technologies available
- ▶ Designed for critical medical applications
- ▶ Fixed and in-line receptacles available
- ▶ Housing alignment and polarization
- ▶ Custom cable assemblies available
- ▶ Crimp contacts shipped unloaded

BENEFITS

- ▶ Quick connect – simple one-hand mating/unmating
- ▶ Standard stocked connectors offered with 3 to 25 contacts
- ▶ Visually intuitive mating
- ▶ Design flexibility allowing multiple contact technologies within a single connector solution
- ▶ Provides high reliability in a cost effective package
- ▶ Easy incorporation into box and extension cable designs
- ▶ Designed to prevent mismating
- ▶ Complete system solutions reduce logistic and sourcing costs
- ▶ Easier termination for reduced cost of ownership: crimp and poke termination eliminates the need to pre-tin, solder or shrink boot

D SERIES CONNECTORS

Smiths Connectors' intuitive and durable D Series is recognized for its ease of use and high reliability. The D Series delivers industry-leading performance featuring simple push-button latching and a "D" shaped flange which makes mating orientation obvious.

There are three D Series sizes that accommodate a wide variety of applications. The D01 plug is available with up to nine Hypertac® hyperboloid contacts in less than 1/2" diameter, while the slightly larger D02 offers more extensive options, from three power to 25 signal contacts, or a mixture of power or coax and signal contacts. In addition, the mini D00 connector includes five signal contacts in a format nearly 30% smaller than the D01.

The D Series provides medical equipment designers with reliable connections for applications as diverse as electrophysiology catheters, patient monitors, MRIs, intravascular ultrasounds, defibrillators, infusion pumps and laboratory equipment. D Series connectors are also used in a variety of industrial and commercial applications where reliability is critical.

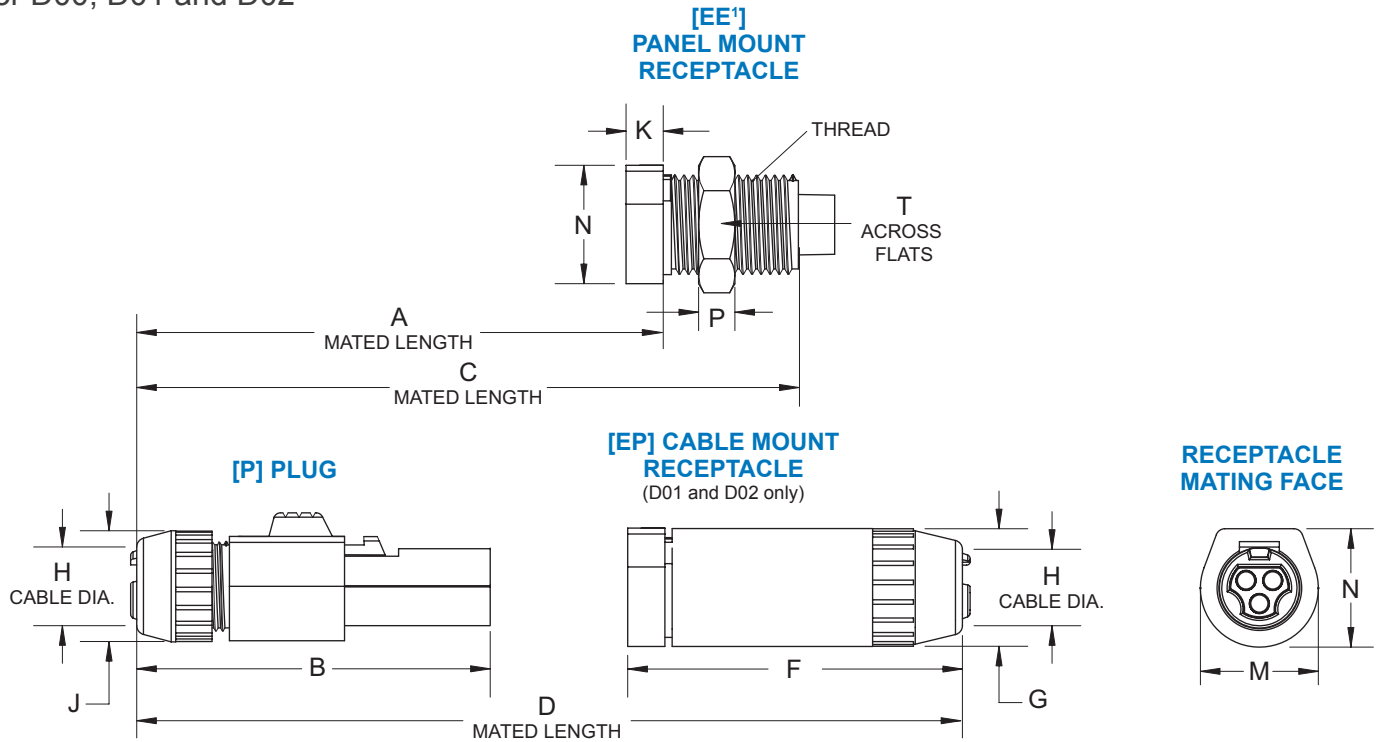
Cable assemblies are also offered, incorporating the D Series with overmolding, integrated electronics, metal shells for increased strength, or alternate contact configurations to meet specific customer requirements.



DIMENSIONS

STANDARD PLUG & RECEPTACLE OPTIONS

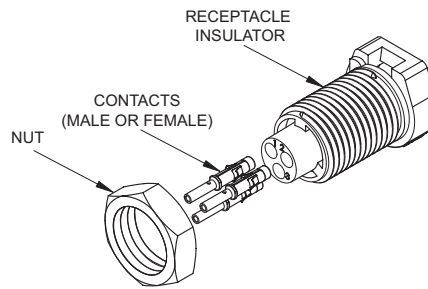
For D00, D01 and D02



	D00	D01	D02
A	0.788 [20.00]	1.142 [29.00]	1.358 [34.50]
B	1.096 [27.83]	1.614 [41.00]	1.950 [49.50]
C	1.181 [30.00]	1.732 [44.00]	2.087 [53.00]
D	—	2.400 [61.00]	2.953 [75.00]
F	—	1.500 [38.00]	1.772 [45.00]
G	—	Ø0.512 [13.00]	Ø0.709 [18.00]
H	Ø0.089 [2.50] Min. 0.158 [4.00] Max.	Ø0.118 [3.00] Min. 0.216 [5.50] Max.	Ø0.197 [5.00] Min. 0.315 [8.00] Max.
J	Ø0.352 [8.94]	Ø0.472 [12.00]	Ø0.709 [18.00]
K	0.114 [2.88]	0.161 [4.10]	0.276 [7.00]
L	M8 X 1.00 Thd.	M11 X 1.00 Thd.	M15 X 1.00 Thd.
M	0.323 [8.20]	0.512 [13.00]	0.669 [17.00]
N	0.320 [8.12]	0.512 [13.00]	0.689 [17.50]
P	0.079 [2.00]	0.157 [4.00]	0.153 [3.89]
T	0.394 [10.00]	0.512 [13.00]	0.744 [18.90]

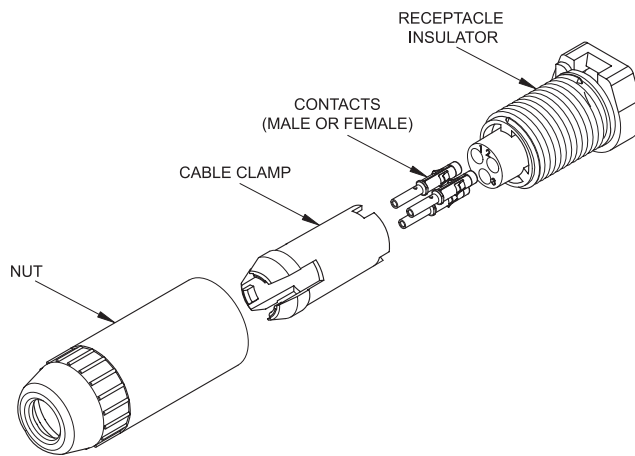
▶ **[EE] PANEL MOUNT RECEPTACLE**

D01 Shown



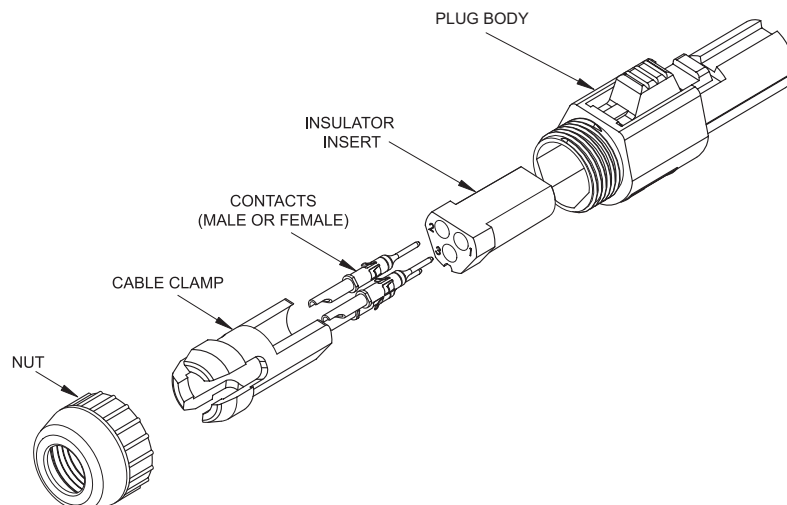
▶ **[EP] CABLE MOUNT RECEPTACLE**

D01 Shown



▶ **[P] PLUG**

D01 Shown

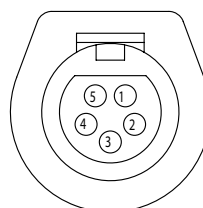


GENERAL SPECIFICATIONS

Contact Arrangements & Technical Characteristics

► MINI D00 SERIES

Standard



Receptacle seen from mating face

Number of Contacts	5
Contact Diameter	0.012 [0.30]
Termination Style	Crimp (<i>pin & socket</i>) 26 to 28 AWG

MATERIALS & FINISHES

Insulator	Polyetherimide
Socket	Beryllium copper wires and brass body
Pin	Phosphor bronze
Mating Surface Plating	Gold over nickel

ELECTRICAL

Current Rating	1.0 A
Contact Resistance	< 6.7 milliohms
Breakdown Voltage Between Contacts	1000 V min.
DWV	750 V
Insulation Resistance	> 10 ³ megohms at 500 VDC

MECHANICAL AND ENVIRONMENTAL

Contact Mating Cycle Life	Up to 100,000
Extraction Force	0.35 to 1.60 oz. per contact
Operating Temperature Rating	-40° to 125° C

ACCESSORIES

Crimp Tool	AFM8 or M22520/2-01
Positioner	K1775
Insertion Tool	T2080

► **D01 SERIES**

Standard



Receptacles seen from mating face

Number of Contacts	3	4	9
Contact Diameter	0.024 [0.60]		0.016 [0.40]

TERMINATIONS

Crimp (Pin & Socket)	22 to 26 AWG	26 to 28 AWG
Solder Cup (Pin & Socket)	Up to 22 AWG	Up to 26 AWG

MATERIALS & FINISHES

Insulator	Polycarbonate	Polyetherimide
Socket	Beryllium copper wires and brass body	
Pin	Brass or phosphor bronze	
Mating Surface Plating	Gold over nickel	

ELECTRICAL

Current Rating	4.0 A	1.0 A
Contact Resistance	< 5.0 milliohms	< 8.0 milliohms
Breakdown Voltage Between Contacts	2250 V min.	1000 V min.
DWV	1650 V	750 V
Insulation Resistance	> 10 ³ megohms at 500 VDC	

MECHANICAL AND ENVIRONMENTAL

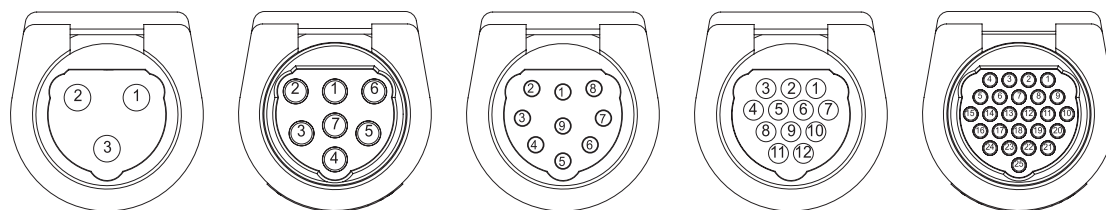
Contact Mating Cycle Life	Up to 100,000	
Extraction Force	0.50 to 2.00 oz. per contact	0.30 to 1.60 oz. per contact
Operating Temperature Rating	-40° to 85° C	-40° to 125° C

ACCESSORIES

Crimp Tool	AFM8 or M22520/2-01	
Positioner	K547	T1914
Extraction Tool	S/DEM1.0060	—
Insertion Tool	T1866	T2080

► D02 SERIES

Standard



Receptacles seen from mating face

Number of Contacts	3	7	9	12	25
Contact Diameter	0.059 [1.50]	0.024 [0.60]	0.024 [0.60]	0.018 [0.50]	0.016 [0.40]

TERMINATIONS

Crimp (Pin & Socket)	18 to 20 AWG		22 to 26 AWG		26 to 28 AWG
Solder Cup (Pin & Socket)	Up to 16 AWG		Up to 22 AWG		up to 26 AWG

MATERIALS & FINISHES

Insulator	Polycarbonate			Polyetherimide	
Socket	Beryllium copper wires and brass body				
Pin	Brass or phosphor bronze				
Mating Surface Plating	Gold over nickel				

ELECTRICAL

Current Rating	8.0 A	4.0 A	4.0 A	2.5 A	1.0 A
Contact Resistance	< 2.0 milliohms	< 5.0 milliohms	< 5.0 milliohms	< 8.0 milliohms	< 8.0 milliohms
Breakdown Voltage Between Contacts	2250 V min.	2000 V min.	1560 V min.	1000 V min.	1000 V min.
DWV	1650 V	1500 V	1150 V	750 V	750 V
Insulation Resistance	> 10 ³ megohms at 500 VDC				

MECHANICAL AND ENVIRONMENTAL

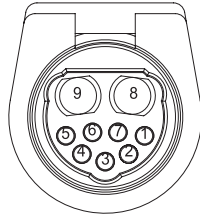
Contact Mating Cycle Life	Up to 100,000				
Extraction Force (oz. per contact)	1.80 to 5.40	0.50 to 2.00	0.50 to 2.00	0.30 to 1.60	0.30 to 1.60
Operating Temperature Rating	-40° to 85° C				-40° to 125° C

ACCESSORIES

Crimp Tool	AF8	AFM8 or M22520/2-01			
Positioner	TP688	K547		T870	T1914
Extraction Tool	S/DEM5.0150	S/DEM1.0060		—	—
Insertion Tool	T1866			T1271	T2080

► **D02 SERIES**

Power & Signal



Receptacle seen from mating face

	POWER	SIGNAL
Number of Contacts	2	7
Contact Diameter	0.024 [0.60]	0.018 [0.50]
Termination Style	Crimp (<i>pin & socket</i>) 16 to 20 AWG	Crimp (<i>pin & socket</i>) 22 to 26 AWG

MATERIALS & FINISHES

Insulator	Polycarbonate
Socket	Beryllium copper wires and brass body
Pin	Brass
Mating Surface Plating	Gold over nickel

ELECTRICAL

Current Rating	8.0 A	2.5 A
Contact Resistance	< 2.0 milliohms	< 8.0 milliohms
Insulation Resistance	> 10 ³ megohms at 500 VDC	

MECHANICAL AND ENVIRONMENTAL

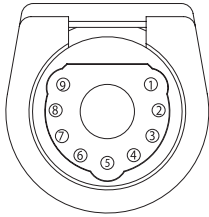
Extraction Force	1.80 to 5.40 oz. per contact	0.30 to 1.60 oz. per contact
Operating Temperature Rating	-40° to 85° C	

ACCESSORIES

Crimp Tool	AF8	AFM8
Positioner	T1164 (<i>pin</i>) TP688 (<i>socket</i>)	T870
Extraction Tool	T1124	—
Insertion Tool	T1888	T1215

► D02 SERIES

Coax or Power & Signal



Receptacle seen from mating face

	POWER	COAX	SIGNAL
Number of Contacts	1 (either Power or Coax)		9
Contact Diameter	0.098 [2.50]	0.124 [3.15]	0.018 [0.50]

TERMINATION STYLE

Crimp (Pin & Socket)	12 AWG	RG316 or RG316DB	22 to 26 AWG
Solder Cup (Pin & Socket)	—	RG405 or T-Flex 405	Up to 22 AWG

MATERIALS & FINISHES

Insulator	Polyetherimide		
Socket	Beryllium copper wires and brass body		
Pin	Brass or phosphor bronze		
Mating Surface Plating	Gold over nickel		

ELECTRICAL

Current Rating	25 A	—	2.5 A
Contact Resistance			
Discrete Contacts	< 1.5 max.	—	< 8.0 max.
Inner Contact	—	8.0 milliohms max.	—
Outer Contact	—	2.0 milliohms max.	—
Insulation Resistance	> 10 ³ megohms at 500 VDC		

MECHANICAL AND ENVIRONMENTAL

Extraction Force (oz. per contact)	6.00 to 25.00	1.50 to 6.0 (3.00 average)	0.30 to 1.60 oz. per contact
Operating Temperature Rating	-40° to 125° C		

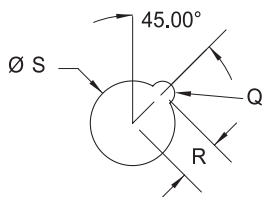
ACCESSORIES

Crimp Tool	M309	HX3 (outer) AFM8 (inner)	AFM8
Crimp Die Set	—	T1958 (outer) T2019 (outer for RG316DB)	—
Positioner	T1981	T1957 (inner)	T870
Extraction Tool	T1982	T1982	—
Insertion Tool	—	—	T1215

MOUNTING DIMENSIONS

▶ PANEL CUTOUT

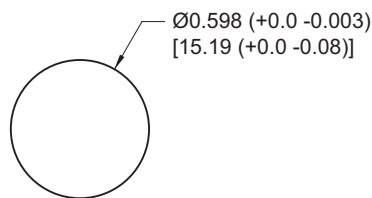
For Standard D00, D01 and D02 Series



	Q	R	S
D00	Ø0.092 [2.34]	0.161 [4.10]	Ø0.323 [8.20]
D01	Ø0.126 [3.20]	0.220 [5.60]	Ø0.441 [11.20]
D02	Ø0.10 [2.54]	0.295 [7.50]	Ø0.598 [15.19]

▶ PANEL CUTOUT

For Power & Signal D02 Series



MOUNTING PLATE MATERIAL	MAX. THICKNESS
Steel	0.062 [1.60]
Other	0.094 [2.40]

HOW TO ORDER

**1** ▶ CONNECTOR SERIES + SIZE

D00 SERIES **D01** SERIES **D02** SERIES

2 ▶ INSULATOR

P PLUG **EE** RECEPTACLE PANEL MOUNT **EP** RECEPTACLE CABLE MOUNT
(Not available for 215/705 or 503 style)

3 ▶ MAIN BODY COLOR *[Fixed]*

B BLACK

4 ▶ CONTACT ARRANGEMENT

503 D00 5 CONTACTS **906** D02 9 CONTACTS
306 D01 3 CONTACTS **125** D02 12 CONTACTS
406 D01 4 CONTACTS **2504** D02 25 CONTACTS
904 D01 9 CONTACTS **215 / 705** D02 2 POWER / 7 SIGNAL CONTACTS
315 D02 3 CONTACTS
706 D02 7 CONTACTS

5 ▶ CONTACT GENDER

M MALE **F** FEMALE

6 ▶ TERMINATION STYLES⁽¹⁾

R CRIMP⁽²⁾ **S** SOLDER CUP

7 ▶ MATERIAL *(omit for Polycarbonate – D01 306, 406; D02 315, 706, 906, 125, 2 Power / 7 Signal only)*

U POLYETHERIMIDE *(D00 503, D01 904 and D02 2504 only)*

8 ▶ PLATING

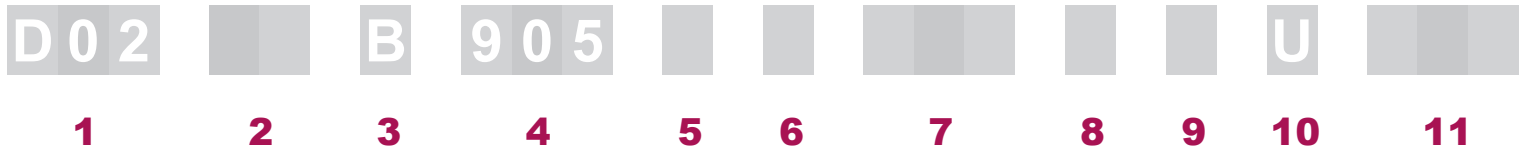
T 10 µin GOLD (MIN) OVER NICKEL *(male contacts only)(not available for D00)*
TH 50 µin GOLD (MIN) OVER NICKEL *(male contacts only)*
TAH 50 µin GOLD (MIN) OVER NICKEL ON MATING SURFACE, GOLD FLASH OVER NICKEL ON TERMINATION
(female contacts only)

Notes:

- 1) Contacts shipped unassembled
- 2) D00 available with "R" termination only (for crimp or solder)
- 3) D00 panel mount receptacle with 6" pigtail leads preterminated D00EEB-0001

HOW TO ORDER

Coax or Power & Signal only



1 ▶ **CONNECTOR SERIES + SIZE** *[Fixed]*
D02 SERIES

2 ▶ **INSULATOR**
P PLUG **EE** RECEPTACLE PANEL MOUNT **EP** RECEPTACLE CABLE MOUNT

3 ▶ **COLOR** *[Fixed]*
B BLACK

4 ▶ **CONTACT ARRANGEMENT** *[Fixed]*
905 9 SIGNAL CONTACTS

5 ▶ **SIGNAL CONTACT GENDER**
M MALE **F** FEMALE

6 ▶ **SIGNAL TERMINATION STYLES⁽¹⁾**
R CRIMP **S** SOLDER CUP

7 ▶ **COAXIAL/POWER CABLE TYPE**
1C1 RG316 (crimp) **1C3** RG316DB (crimp)
1C2 T-FLEX 405, RG 405 (solder) **1P1** 12 AWG (crimp)

8 ▶ **COAX CONTACT GENDER**
M MALE **F** FEMALE

9 ▶ **COAX TERMINATION STYLES⁽¹⁾**
R CRIMP **S** SOLDER CUP

10 ▶ **MATERIAL** *[Fixed]*
U POLYETHERIMIDE (black)

11 ▶ **PLATING**
T 10 µin GOLD (MIN) OVER NICKEL (male contacts only)
TH 50 µin GOLD (MIN) OVER NICKEL (male contacts only)
TAH 50 µin GOLD (MIN) OVER NICKEL ON MATING SURFACE, GOLD FLASH OVER NICKEL ON TERMINATION (female contacts only)

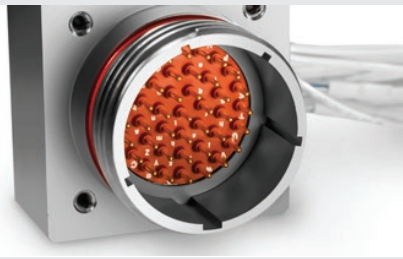
SMITHS CONNECTORS PRODUCT LINES

Circular



- ▶ Metal and plastic
- ▶ Industrial M12, M23, M40, M58
- ▶ Crimp and solder terminations
- ▶ Push/pull latch mechanism
- ▶ Color coding

EMI / EMP Filter



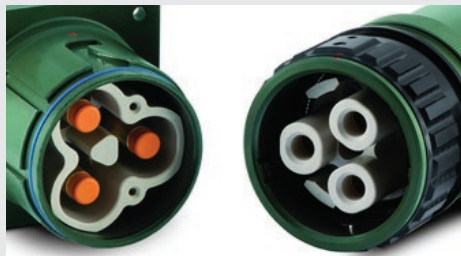
- ▶ EMI/RFI filtering and transient protection
- ▶ RoHS compliant solderless filter connectors available
- ▶ Filtered adapter for "bolt on" EMI/EMP solutions
- ▶ Filter hybrid capability
- ▶ Circular, ARINC, D-Subminiature, Micro-D

Heavy Duty



- ▶ Modular solution: signal, power, data contacts and fiber optics
- ▶ EMC shielding
- ▶ High pressure up to 35K PSI, 250°C
- ▶ High temperature up to 440°C

High Power



- ▶ Single and multi-way
- ▶ Circular and configurable rectangular
- ▶ Power contact up to 1,200 Amps
- ▶ Excellent performance in harsh environments

High Speed Copper / Fiber



- ▶ Quadrax and Twinax connectors
- ▶ Fiber Optic Butt Joint, Expanded Beam and Floating Fiber Termini available
- ▶ ARINC and MIL-STD contacts

Mil / Aero Standards



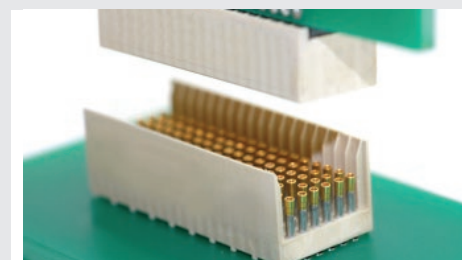
- ▶ Standard military interface
- ▶ ARINC 801
- ▶ ARINC interface
- ▶ Custom inserts

Modular / Rectangular



- ▶ Configurable modules for signal, power, coax, fiber optic and/or pneumatics
- ▶ Guided hardware for blind mating
- ▶ Easy configuration in a single frame
- ▶ For rack & panel and cable applications

PCB



- ▶ Low, medium and high density board-to-board, cable to board and stacking
- ▶ Signal, power, coax and high speed configurations
- ▶ Numerous termination styles

Spring Probe



- ▶ Z-axis compliant
- ▶ Blind mate engagement
- ▶ High density
- ▶ Extreme miniaturization
- ▶ High reliability, multi-cycle performance

SMITHS CONNECTORS GLOBAL SUPPORT

AMERICAS

Costa Mesa, CA
Hudson, MA
Kansas City, KS

1.714.371.1100
1.978.568.0451
1.913.342.5544

customerservice@sabritec.com
info@hypertronics.com
info@idinet.com

EUROPE

France
Germany
Italy
United Kingdom

33.2.3296.9176
49.991.250.120
39.10.60361
44.208.236.2400

info@hypertac.fr
info@hypertac.de
info@hypertac.it
info@hypertac.co.uk

ASIA

Shanghai, China
Singapore
Suzhou, China

86.21.3318.4650
65.6846.1655
86.512.6273.1188

asiacrs@smithsconnectors.com
asiacrs@smithsconnectors.com
asiacrs@smithsconnectors.com

visit us at | smithsconnectors.com |     

Copyright© 2015 Smiths Connectors | All rights reserved | Version 1.2