

Power Electronic Capacitors (PEC)



FEATURES

- Very low inductance
- Extremely low losses at high frequencies
- Low serial resistance
- High current ratings
- High impulse discharge current capability
- Resistance to heavy duty shock vibration
- High reliability and lifetime expectation

APPLICATIONS

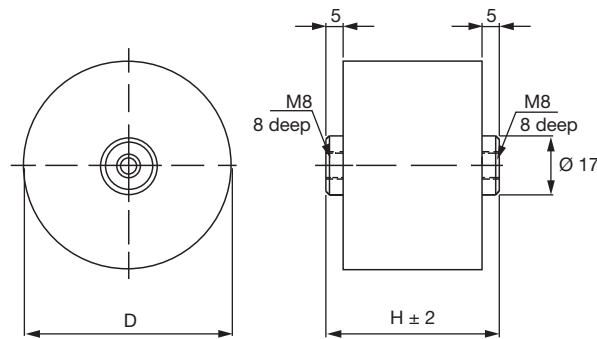
- Voltage converters
- Frequency converters
- Traction drives
- Industrial drives
- UPS
- Medical equipment

QUICK REFERENCE DATA	
DESCRIPTION	VALUE
Rated DC voltage min.	700 V _{DC}
Rated DC voltage max.	2150 V _{DC}
Capacitance min.	11 µF
Capacitance max.	230 µF
Capacitance tolerance	± 5 % or ± 10 %
Technology	Metallized polypropylene film, self-healing
Dielectric dissipation factor	< 2 x 10 ⁻⁴
Operating temperature min.	-40 °C
Operating temperature max.	+85 °C (hotspot)
Inductance	< 30 nH
Lifetime expectancy	> 100 000 h at U _{NDC} and < 60 °C hotspot
Reliability	< 300 FIT
Test voltage	U _{tt} = 1.5 x U _{NDC} /10 s; U _{tc} = 2 x U _{NDC} + 1000 V _{AC} /10 s
Casing	Polyester (UL 94 V-0)
Filling	Dry resin (UL 94 V-0)
Standard	IEC 61071, IEC 61881-1



TYPE DESCRIPTION											
TYPE GLI...-... A	C _N (μF)	U _{NDC} (V _{DC})	R _S (mΩ)	R _{th} (K/W)	I _{max.} (A)	\hat{i} (kA)	\hat{i}_S (kA)	H (mm)	DIA. (mm)	MOQ / PU (pcs)	DRAWING NO.
GLI 700, U_{NDC} = 700 V_{DC}											
700-35	35	700	0.5	8.0	60	1.0	3.0	44	87	12	1
700-230	230	700	0.8	6.4	50	1.3	4.0	74	87	12	1
GLI 900, U_{NDC} = 900 V_{DC}											
900-25	25	900	0.3	7.7	80	0.8	2.4	44	87	12	1
900-100	100	900	0.7	7.1	50	1.0	3.0	64	87	12	1
900-150	150	900	0.9	6.3	52	1.1	3.3	74	87	12	1
GLI 1100, U_{NDC} = 1100 V_{DC}											
1100-15	15	1100	0.4	7.7	75	0.6	1.9	44	87	12	1
1100-75	75	1100	0.7	7.3	55	0.9	2.7	64	87	12	1
1100-100	100	1100	1.0	6.5	45	0.9	2.6	74	87	12	1
GLI 1250, U_{NDC} = 1250 V_{DC}											
1250-50	50	1250	0.9	6.9	50	0.7	2.1	64	87	12	1
1250-100	100	1250	1.1	6.5	45	0.7	2.3	74	87	12	1
GLI 1450, U_{NDC} = 1450 V_{DC}											
1450-11	11	1450	0.7	6.5	50	0.3	1.1	74	87	12	1
1450-60	60	1450	1.2	6.3	45	0.7	2.1	74	87	12	1
GLI 1800, U_{NDC} = 1800 V_{DC}											
1800-25	25	1800	1.2	7.1	42	0.5	1.5	64	87	12	1
1800-35	35	1800	1.7	6.4	38	0.5	1.5	74	87	12	1
GLI 2150, U_{NDC} = 2150 V_{DC}											
2150-18	18	2150	3.0	11.8	20	0.2	0.5	64	87	12	1
2150-25	25	2150	2.1	6.0	32	0.4	1.3	74	87	12	1

DIMENSIONS in millimeters



Drawing 1

Contact Us

Other voltage, current, and capacitance values are available on request without additional cost and lead time for the individual design.



Disclaimer

ALL PRODUCT, PRODUCT SPECIFICATIONS AND DATA ARE SUBJECT TO CHANGE WITHOUT NOTICE TO IMPROVE RELIABILITY, FUNCTION OR DESIGN OR OTHERWISE.

Vishay Intertechnology, Inc., its affiliates, agents, and employees, and all persons acting on its or their behalf (collectively, "Vishay"), disclaim any and all liability for any errors, inaccuracies or incompleteness contained in any datasheet or in any other disclosure relating to any product.

Vishay makes no warranty, representation or guarantee regarding the suitability of the products for any particular purpose or the continuing production of any product. To the maximum extent permitted by applicable law, Vishay disclaims (i) any and all liability arising out of the application or use of any product, (ii) any and all liability, including without limitation special, consequential or incidental damages, and (iii) any and all implied warranties, including warranties of fitness for particular purpose, non-infringement and merchantability.

Statements regarding the suitability of products for certain types of applications are based on Vishay's knowledge of typical requirements that are often placed on Vishay products in generic applications. Such statements are not binding statements about the suitability of products for a particular application. It is the customer's responsibility to validate that a particular product with the properties described in the product specification is suitable for use in a particular application. Parameters provided in datasheets and / or specifications may vary in different applications and performance may vary over time. All operating parameters, including typical parameters, must be validated for each customer application by the customer's technical experts. Product specifications do not expand or otherwise modify Vishay's terms and conditions of purchase, including but not limited to the warranty expressed therein.

Except as expressly indicated in writing, Vishay products are not designed for use in medical, life-saving, or life-sustaining applications or for any other application in which the failure of the Vishay product could result in personal injury or death. Customers using or selling Vishay products not expressly indicated for use in such applications do so at their own risk. Please contact authorized Vishay personnel to obtain written terms and conditions regarding products designed for such applications.

No license, express or implied, by estoppel or otherwise, to any intellectual property rights is granted by this document or by any conduct of Vishay. Product names and markings noted herein may be trademarks of their respective owners.