

JIAXING GLEAD ELECTRONICS CO.,LTD.

APPROVAL SHEET

PRODUCT NAME	CUSTOMER APPROVED BY
GSM3_UT11_K3M	
CUSTOMER NAME OR MODEL	APPROVED DATE

SPECIFICATION

Product Name: GSM3_UT11_K3M

Description: L=3m / SMBA (FAKRA-D)
(Typical Value)

VERSION INFORMATION

VERSION	DATE	REVISION DESCRIPTION	PREPARED	CHECKED	APPROVED
V1.0	2008/11/25	NEW ISSUED	蒋晓强	顾建飞	葛伟平
V2.0	2009/10/15	Revised structure of Tolerance	高生	闫文力	葛伟平
V3.0	2010/06/24	Revised Adhesive	沈杰	高生	葛伟平

PREPARED BY	CHECKED BY	APPROVED BY
沈杰	高生	葛伟平

PRODUCT SPECIFICATION

PRODUCT NAME	Prepared date	Page
GSM3_UT11_K3M	2010.06.24	1/2
Prepared by	Checked by	Approved by
沈杰	高生	葛伟平

1. Electrical Characteristics

1	Frequency Range	GSM900:820-960MHZ
		GSM1800:1710-1880MHZ
		GSM1900:1850-1990MHZ
		UMTS:1900-2170MHZ
2	V. S. W. R	2:1
3	Band Width	140MHZ@900MHZ
		170MHZ@1800MHZ
		140MHZ@1900MHZ
		170MHZ@2000MHZ
4	Impedence	50 ohm
5	Gain(Typical)	1dbi@900MHZ
		2dbi@1800MHZ
		2.5dbi@1900MHZ
		3dbi@2000MHZ
6	Azimuth	Omni-direction
7	Polarization	Linear polarization

2. Material

No	Part Name	SPEC
1	Antenna	PCB
2	RF Cable	RG174 (L=3±0.1M)
3	RF Connector	SMBA (FAKRA-D)
4	Mounting	Adhesive Type
5	Enclosures	Plastic



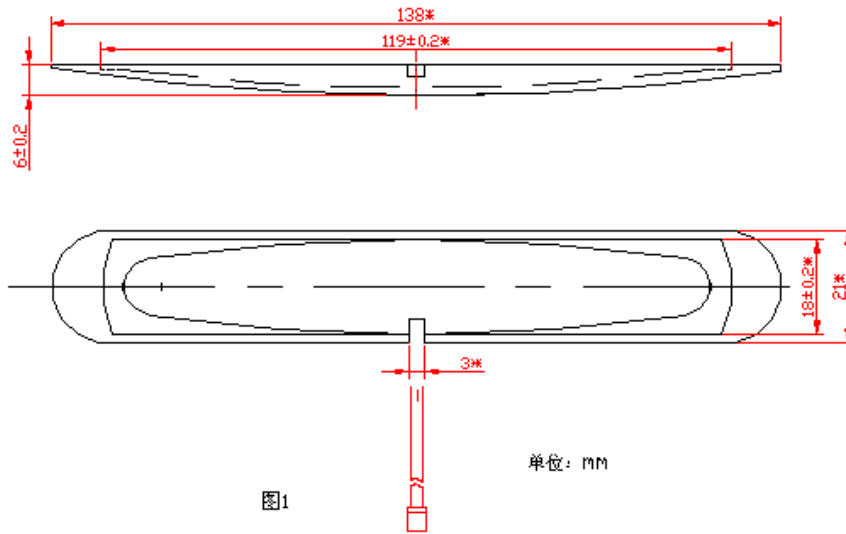
PRODUCT NAME	Prepared date	Page
GSM3_UT11_K3M	2010.06.24	2/2
Prepared by	Checked by	Approved by
沈杰	高生	葛伟平

3. Reliability Test

Item	Test Condition	Limit
Humidity Test	The device is subjected to 93±2% relative humidity 40±2℃ ±3℃ for 48h, then dry out at 25℃ ±5℃ and less than 65% relative humidity for 12h.	After test, specimen shall meet electrical requirements
High Temperature Storage	after leaving at 85℃ for 16h, provided it would be measured after 2h leaving in 25℃ ±5℃ and less than 65% relative humidity.	After test, specimen shall meet electrical requirements
Low Temperature Storage	After leaving at -40℃ for 16 h, provided it would be measured after 2h leaving in 25℃ ±5℃ and less than 65% relative humidity.	After test, specimen shall meet electrical requirements
High Temperature Operation	Operating the device at 80℃ and 3.0V for 2h,	After test, specimen shall meet electrical requirements
Low Temperature Operation	Operating the device at -40℃ and 3.0V for 2h,	After test, specimen shall meet electrical requirements
Vibration	Subject the device to Sinusoidal vibration for 2h each in x, y and z axis with the amplitude of 1.5mm (max), the frequency shall be varied uniformly between the limits of 10Hz~55Hz~10Hz.	After test, specimen shall meet electrical requirements
Free Fall	Handling the product at the 1000mm dropped 3 times with random fall surface,	Mechanical damage such as breaks shall not occur. After test, specimen shall meet electrical requirements

PRODUCT NAME	Prepared date	Page
GSM3_UT11_K3M	2010.06.24	2/2
Prepared by	Checked by	Approved by
沈杰	高生	葛伟平

4. Structure (Tolerance: $\pm 0.2\text{mm}$)



5. Packaging

Each 475x215x215 mm size carton includes 100 pcs antenna.

