

JIAXING GLEAD ELECTRONICS CO.,LTD.

APPROVAL SHEET

PRODUCT NAME	CUSTOMER APPROVED BY
GSM3_UT1_J3M	
CUSTOMER NAME OR MODEL	APPROVED DATE

SPECIFICATION

Product Name: GSM3_UT1_J3M

Description: L=3m /SMA-J3
(Typical Value)

VERSION INFORMATION

VERSION	DATE	REVISION DESCRIPTION	PREPARED	CHECKED	APPROVED
V1.0	2008/11/25	NEW ISSUED	闫文力	沈杰	葛伟平
V2.0	2009/10/15	Revised structure of Tolerance	高生	闫文力	葛伟平
V3.0	2010/06/24	Revised Adhesive	沈杰	高生	葛伟平

PREPARED BY	CHECKED BY	APPROVED BY
闫文力	沈杰	葛伟平

PRODUCT SPECIFICATION

PRODUCT NAME	Prepared date	Page
GSM3_UT1_J3M	2010.06.24	1/2
Prepared by	Checked by	Approved by
闫文力	沈杰	葛伟平

1. Electrical Characteristics

1	Frequency Range	GSM900:820-960MHZ
		GSM1800:1710-1880MHZ
		GSM1900:1850-1990MHZ
		UMTS:1900-2170MHZ
2	V. S. W. R	2:1
3	Band Width	140MHZ@900MHZ
		170MHZ@1800MHZ
		140MHZ@1900MHZ
		170MHZ@2000MHZ
4	Impedence	50 ohm
5	Gain(Typical)	1dbi@900MHZ
		2dbi@1800MHZ
		2dbi@1900MHZ
		3dbi@2000MHZ
6	Azimuth	Omni-direction
7	Polarization	Linear polarization
8	POWER	10W (MAX)

2. Material

No	Part Name	SPEC
1	Antenna	PCB
2	RF Cable	RG174 (L=3±0.1M)
3	RF Connector	SMA-J3
4	Mounting	Adhesive Type
5	Enclosures	Plastic



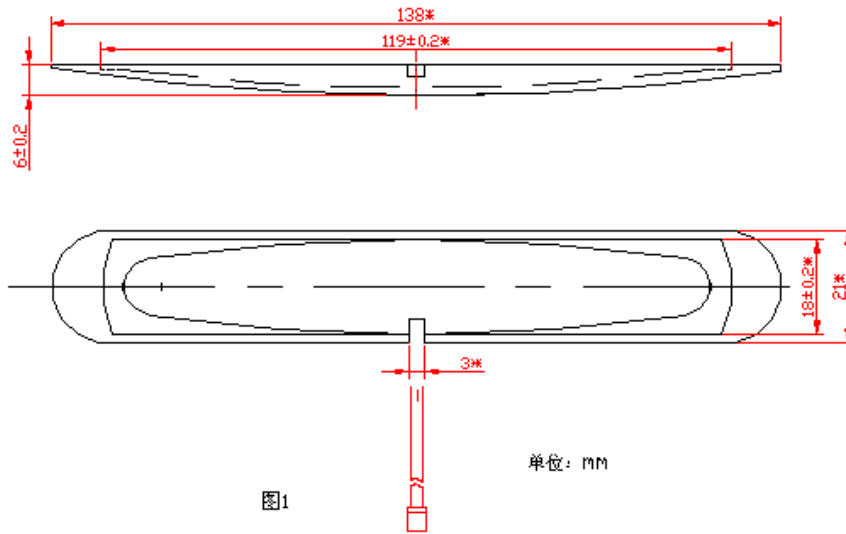
PRODUCT NAME	Prepared date	Page
GSM3_UT1_J3M	2010. 06. 24	2/2
Prepared by	Checked by	Approved by
闫文力	沈杰	葛伟平

3. Reliability Test

Item	Test Condition	Remark
Humidity Test	The device is subjected to 93±2% relative humidity 40±2°C ±3°C for 48h, then dry out at 25°C ±5°C and less than 65% relative humidity for 12h. After dry out the device shall satisfy the specification in table 8.1.	
High Temperature Storage	The device shall satisfy the specification in table 8.1 after leaving at 85°C for 16h, provided it would be measured after 2h leaving in 25°C ±5 °C and less than 65% relative humidity.	
Low Temperature Storage	The device shall satisfy the specification in table 8.1 after leaving at -40°C for 16 h, provided it would be measured after 2h leaving in 25°C ±5 °C and less than 65% relative humidity.	
High Temperature Operation	Operating the device at 80°C and 3.0V for 2h, the device shall satisfy the specification in table 8.1.	
Low Temperature Operation	Operating the device at -40°C and 3.0V for 2h, the device shall satisfy the specification in table 8.1.	
Vibration	Subject the device to Sinusoidal vibration for 2h each in x, y and z axis with the amplitude of 1.5mm (max), the frequency shall be varied uniformly between the limits of 10Hz~55Hz~10Hz.	
Free Fall	Handling the product at the 1000mm dropped 3 times with random fall surface, the device shall satisfy the specification in table 8.1.	(Mechanical damage such as breaks shall not occur.)

PRODUCT NAME	Prepared date	Page
GSM3_UT1_J3M	2010.06.24	2/2
Prepared by	Checked by	Approved by
闫文力	沈杰	葛伟平

4. Structure (Tolerance: $\pm 0.2\text{mm}$)



5. Packaging

Each 475x215x215 mm size carton includes 100 pcs antenna.

