

承认书

SPECIFICATION FOR APPROVAL

客户名称:

贵司料号:

我司名称: 嘉兴佳利电子股份有限公司

产品型号: DAS1575R1602H4-DOLIN01

产品描述: 25*25*4.0mm/NITTO 5000NS/PIN1.8mm

VERSION	DATE	REVISION DESCRIPTION	PREPARED	CHECKED	APPROVED
V1.0	2011/01/11	NEW ISSUED	郁志强	高生	葛伟平

客户承认 (签章处)

品管部	生产部	技术部
姓名:	姓名:	姓名:
电话:	电话:	电话:
邮箱:	邮箱:	邮箱:

佳利承认 (签章处)

品管部	生产部	技术部
姓名: 袁亚萍	姓名: 张凌叶	姓名: 郁志强
电话: 0573-83651669	电话: 0573-83651669	电话: 0573-83651289
邮箱: yuanyaping876@163.com	邮箱: zly5710@163.com	邮箱: yzqppok@163.com

拟制 Prepared by:	日期 Formed On:	中国浙江省嘉兴市塘汇工业区正原路 66 号 No.66 ZhengyuanRoad,Tanghui Industrial Zone, Jiaying, Zhejiang, China
-----------------	---------------	---

目录:

1、 概述	INTRODUCTION
2、 型号	Part Number
3、 结构及材料	Structure and Material
4、 外形尺寸	Dimension
5、 电气性能	Electrical Characteristics
6、 特性曲线	Characteristic curve
7、 可靠性	Reliability
8、 注意事项	Note

拟制 Prepared by:	审核 Checked by :	批准 Approved by:	中国浙江省嘉兴市经济开发区塘汇工业区正原路 66 号 No. 66 ZhengyuanRoad, Tanghui Industrial Zone, Jiaying, Zhejiang, China	
Formed On:			DOCUMENT Name	PAGE REV. P2
			DAS1575R1602H4-DOLIN01	

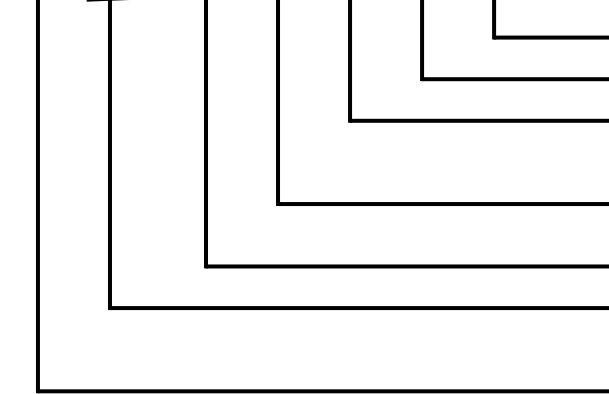
1、概述 INTRODUCTION

"佳利"微波介质天线系列产品用于 GPS 和局域网产品中，采用右旋圆极化设计，扁平状小型结构，具有低反射损耗、轴比小、增益高的特点。

"GLEAD" microwave dielectric antenna elements and its series are designed to be used for GPS and WLAN. The patch antenna with compact size incorporates a rectangular micro-strip design for GPS C/A right-hand circular polarization wave reception, featuring low RL, low Axial Ratio but high gain, etc.

2、型号 Part Number

DA S 1575 R 1602 H4 - DOLIN01 (test ground)



厚度 thickness: 4mm

中心频率 Center frequency: 1598Mhz

极化方式: R=右旋圆极化

polarization: R=Right-hand circular

特征频率 Character Frequency: 1575 MHz

结构 Structure 单偏 Single Deviation

正方形介质天线

Square Dielectric Antenna

拟制 Prepared by:	审核 Checked by :	批准 Approved by:	中国浙江省嘉兴市经济开发区塘汇工业区正原路 66 号 No.66 ZhengyuanRoad, Tanghui Industrial Zone, Jiaxing, Zhejiang, China
-----------------	-----------------	-----------------	---

Formed On:

DOCUMENT
Name

DAS1575R1602H4-DOLIN01

PAGE REV.

P3

3、结构及材料 Structure and Material

表 1

No.	Description	名称	Structure and Material	结构及材料
4.1	Antenna Substrate	天线基片	Dielectric Ceramics	介质陶瓷
4.2	Pin	引脚	Copper and tinplated	铜镀锡合金
4.3	Electrode	电极	Ag Plated	镀银
4.4	Ground Base	接地面	Ag Plated	镀银
4.5	Adhesive type	双面胶	NITTO 5000NS	

4、外形尺寸 Dimension

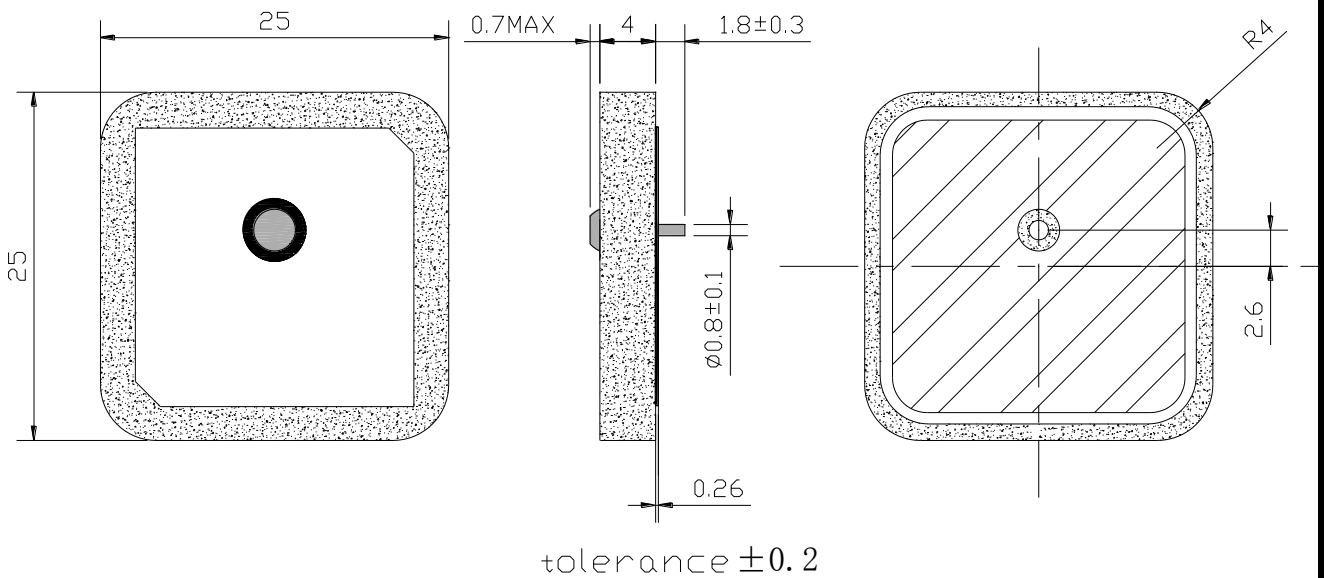


图 1 dimension

拟制 Prepared by:	审核 Checked by :	批准 Approved by:	中国浙江省嘉兴市经济开发区塘汇工业区正原路 66 号 No.66 ZhengyuanRoad, Tanghui Industrial Zone, Jiaxing, Zhejiang, China	
Formed On:			DOCUMENT Name	PAGE REV. P4
			DAS1575R1602H4-DOLIN01	

5、电气性能

Electrical Characteristics

表 2

No.	Item (项目)	Specifications (特性)	Post Environmental Tolerance (环境试验后允许误差)
5.1	接收频率范围 (Mhz) Range of Receiving Frequency	1575&1602	±2.5
5.2	中心频率 Center Frequency (Mhz) (with DOLIN01 GND Plane)	1598	±2.0
5.3	带宽 Band With (Mhz) (Return loss ≤-10dB)	≥40	±0.5
5.4	驻波比 V.S.W.R(in Center Frequency)	≤1.5	±0.5
5.5	增益 Gain(Zenith) (dBi typ)	4.0dB typical	--
5.6	轴比 Axial Ratio	5dB max	---
5.7	偏振方式 Polarization	右旋极化 Right-Handed Circular	---
5.8	特性阻抗 Impedance (Ω)	50	---
5.9	频率温度系数 (ppm/°C) Frequency Temperature Coefficient	0±10	---

6、特性曲线

Characteristic curve



拟制 Prepared by:	审核 Checked by :	批准 Approved by:	中国浙江省嘉兴市经济开发区塘汇工业区正原路 66 号 No. 66 Zhengyuan Road, Tanghui Industrial Zone, Jiaxing, Zhejiang, China	
Formed On:	DOCUMENT Name	DAS1575R1602H4-DOLIN01	PAGE REV. P5	

7、可靠性 Reliability: MTBF≥93709h

试验条件: 温度 Temperature: 80°C
 数量 Quantity: 20pcs
 持续时间 Sustained Time: 240h
 相对湿度 Relative Humidity: 85%
 置信度 Reliability: 90%

8、注意事项 Note

1. 本承认书保证我司产品作为一个单体时的质量情况。当我司产品被安装到贵司产品上时，请保证贵司的产品已根据贵司的规范进行了有效评价和确认。
 This product specification guarantees the quality of our product as a single unit. Please make sure that your product is evaluated and confirmed against your specifications when our product is mounted to your product.
2. 如果贵司对我司产品的使用已超过了本测试规范所界定的产品功能，那么对于由此引发的失效，我司将不予保证。 We cannot warrant against failure caused by any use of our product that deviates from the intended use as described in this product specification.
3. 对于正常使用过程中造成的失效，在出厂之日起三个月内给予免费维修；超过这个时限的维修我们将收取一定的材料成本和维修费用。 The product will get free warranty for three months since the date of purchase users operate in the correct way; users will have to pay cost of the materials and maintaining fee out of the condition.
4. 电子敏感元器件，拿起时注意防静电。 Electrostatic sensitive device. Observe precautions for handling.



拟制 Prepared by:	审核 Checked by :	批准 Approved by:	中国浙江省嘉兴市经济开发区塘汇工业区正原路 66 号 No. 66 ZhengyuanRoad, Tanghui Industrial Zone, Jiaxing, Zhejiang, China	
Formed On:			DOCUMENT Name	PAGE REV. DAS1575R1602H4-DOLIN01 P6