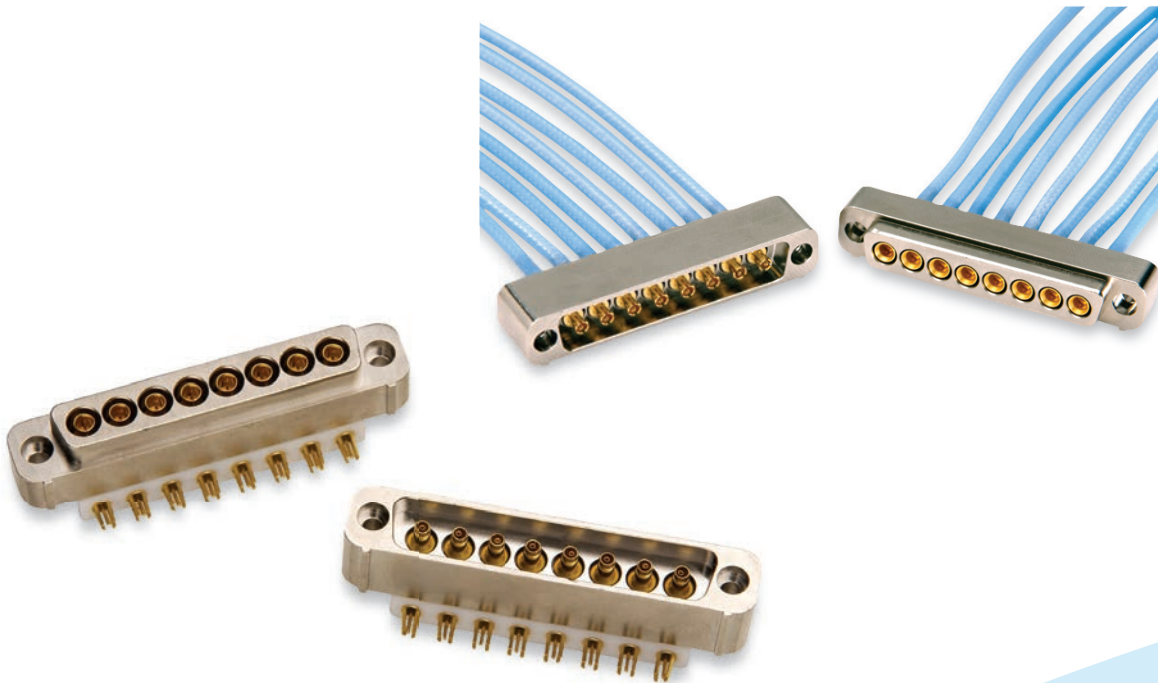


smiths connectors

MDCX & MDHC CONNECTORS



Smiths Connectors' multipin MDCX and MDHC coax connectors have a constant 50 ohm airline impedance interface and are 30% smaller than our SCX coaxial connectors. Each coax contact has a maximum overall diameter of 0.125" fitted into a low-profile metalized housing.

MDCX and MDHC coaxial contacts are compact in size allowing multiple high density connections in a Micro-D style shell for applications where space and weight savings are important. No cumbersome spring mounts are required. These connectors are also available with locking post mechanisms or blind-mate hardware attachment.

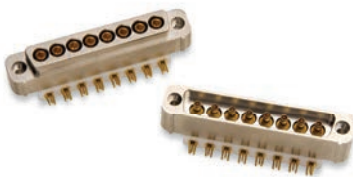
Insert arrangements are available in 2, 4, 6, 8 and 10 way coax assemblies as well as mixed signal, power, coax and high speed twinax contacts for hybrid arrangements.

MDHC high frequency coaxial contacts are a drop in replacement to Smiths Connectors' MDCX RF contacts with an increased frequency range from 10 GHz to 40 GHz.

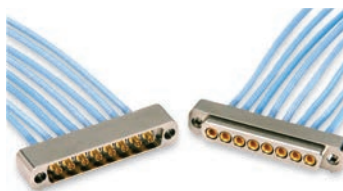
- ▶ MDCX VSWR of 1.25:1 (typ) up to 10 GHz (max mated pair).
- ▶ MDHC VSWR of 1.3:1 (typ) up to 30GHz (max mated pair).
- ▶ MDHC VSWR of 1.5:1 (typ) up to 40GHz (max mated pair).

MECHANICAL & ENVIRONMENTAL SPECIFICATIONS	
Temperature Rating	-65°C to +165°C
Corrosion	MIL-STD-202 Method 101, Test Condition B
Shock	MIL-STD-202 Method 213, Test Condition B
Vibration	MIL-STD-202 Method 204, Test Condition B
Thermal Shock	MIL-STD-202 Method 107, Test Condition B
Durability	1,000 cycles min. 500 cycles min. Signal Contacts
Mating/Unmate Force	1 lb. min.
Float Mount Constraints	0.010" full radial & 0.010 axial misalignment max.
ELECTRICAL SPECIFICATIONS	
Dielectric Withstanding Voltage	500 VDC @sea level with 70% relative humidity
Insulation Resistance	5000 mega-ohms min. @ 200 VDC
Contact Current Rating	5 Amps max. for 0.030 Signal Pins 2.0 Amps max. for 0.015 Signal Contacts
Characteristic Impedance	50 Ohm constant airline impedance
RF HI Potential Withstanding Voltage	125 VRMS @ 5 MHz
Corona Level @ 70,000 ft.	Center contact to intermediate contact: 125 VAC
Permeability	2.0 max.
Frequency Range	MDHC: DC-40 GHz MDCX: DC-10 GHz
VSWR	1.5:1 (typ) Mated Pair up to 40 GHz (MDHC) 1.3:1 (typ) Mated Pair up to 30 GHz (MDHC) 1.25:1 (typ) Mated Pair up to 10 GHz (MDCX)
MATERIAL & FINISHES	
Center & Outer Spring Contacts	Brass per ASTM-B16, alloy UNS C36000 or BeCu per ASTM-B196, alloy UNS C17200, C17300 Gold Plate per MIL-DTL-45204, Type II, Class 1
Insulators	PTFE per ASTM D-1710
Connector Plug/Receptacle Shell	Aluminum per ASTM-B211/221, 6061-T6 Electroless Nickel Plate per SAE-AMS-C-26074
ROHS COMPLIANT	

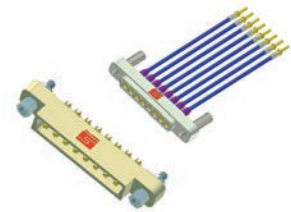
All specifications subject to change without notice.



MDCX Connectors

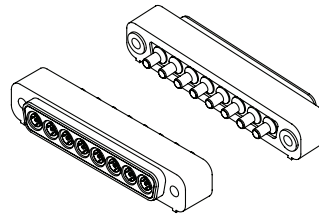
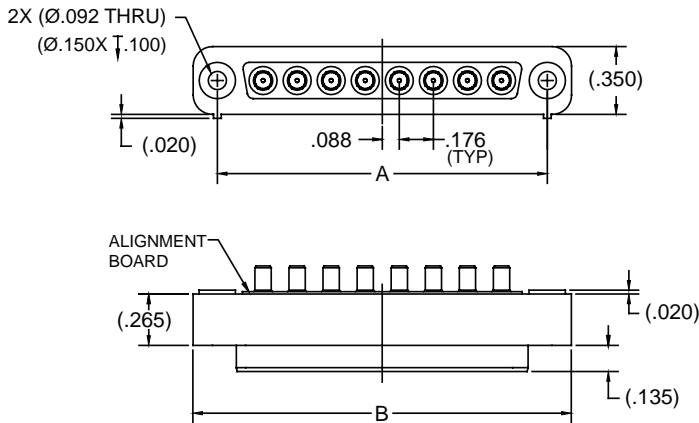


MDHC Connectors



Multipin Coax Connector with Locking Post

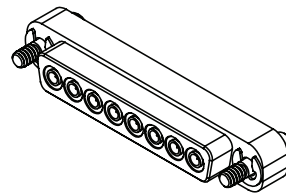
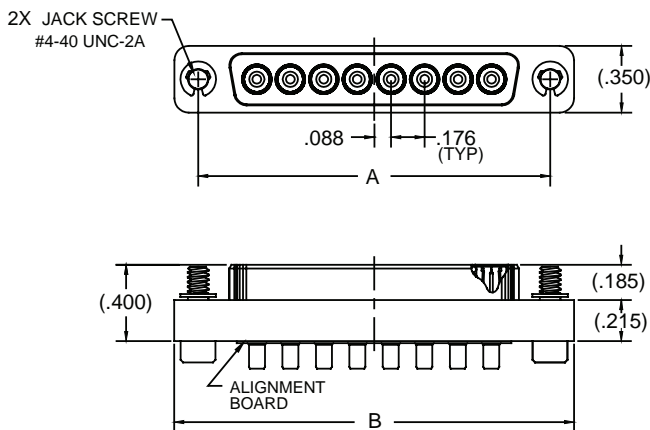
CONNECTOR PLUG FOR CABLE MOUNT MDCX & MDHC COAX SOCKET CONTACTS



PART NUMBER	CONTACTS
017300-2003	2
017300-2004	4
017300-2006	6
017300-2008	8
017300-2010	10

*Cable Mount Coaxial Contacts Sold Separately

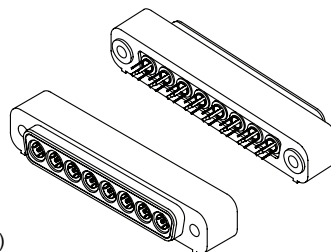
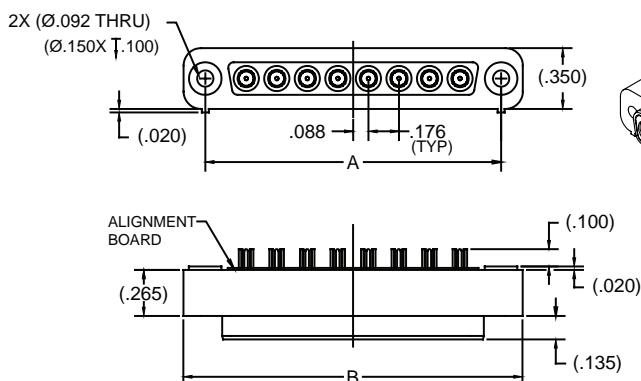
CONNECTOR PLUG FOR CABLE MOUNT MDCX & MDHC COAX SOCKET CONTACTS (w/Mounting Hardware)



PART NUMBER	CONTACTS
017300-2013	2
017300-2014	4
017300-2016	6
017300-2018	8
017300-2020	10

*Cable Mount Coaxial Contacts Sold Separately

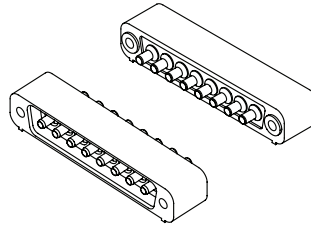
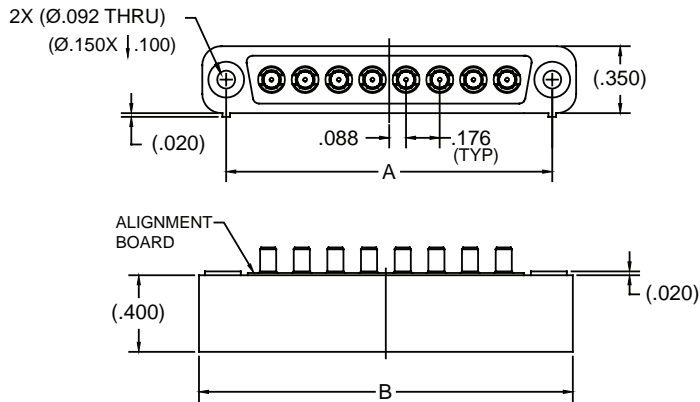
CONNECTOR PLUG FOR MDCX & MDHC WITH PC-TAIL COAX SOCKET CONTACTS



MDCX	MDHC	CONTACTS
017317-2003	017317-2013	2
017317-2004	017317-2014	4
017317-2006	017317-2016	6
017317-2008	017317-2018	8
017317-2010	017317-2020	10

*PC Tail Contacts included

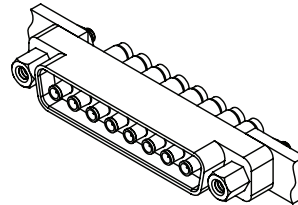
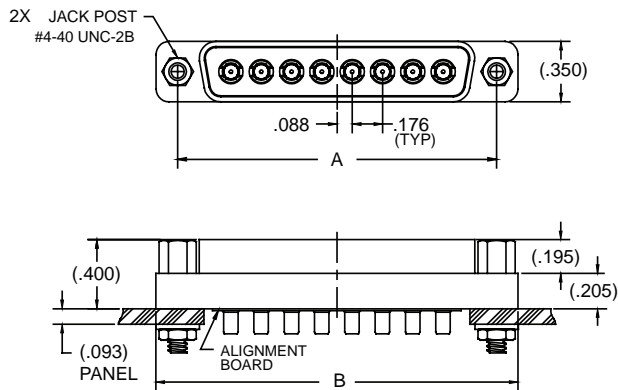
▶ CONNECTOR RECEPTACLE FOR CABLE MOUNT MDCX & MDHC COAX PIN CONTACTS



PART NUMBER	CONTACTS
017300-3003	2
017300-3004	4
017300-3006	6
017300-3008	8
017300-3010	10

*Cable Mount Coaxial Contacts Sold Separately

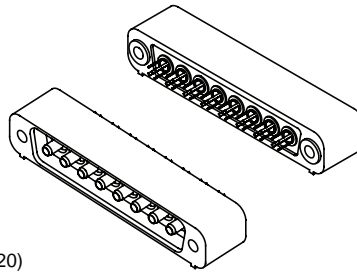
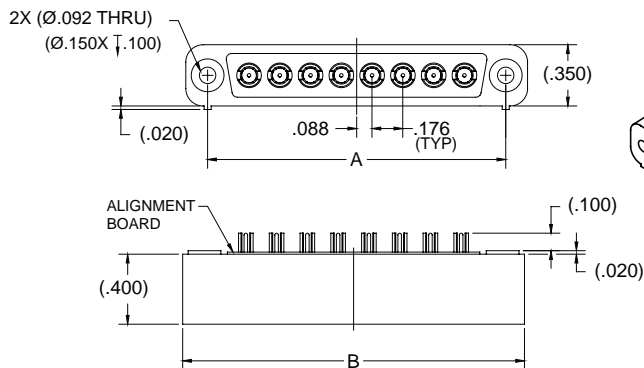
▶ CONNECTOR RECEPTACLE FOR CABLE MOUNT MDCX & MDHC COAX PIN CONTACTS (w/Mounting Hardware)



PART NUMBER	CONTACTS
017300-3013	2
017300-3014	4
017300-3016	6
017300-3018	8
017300-3020	10

*Cable Mount Coaxial Contacts Sold Separately

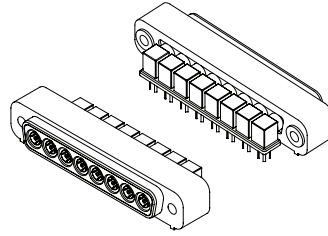
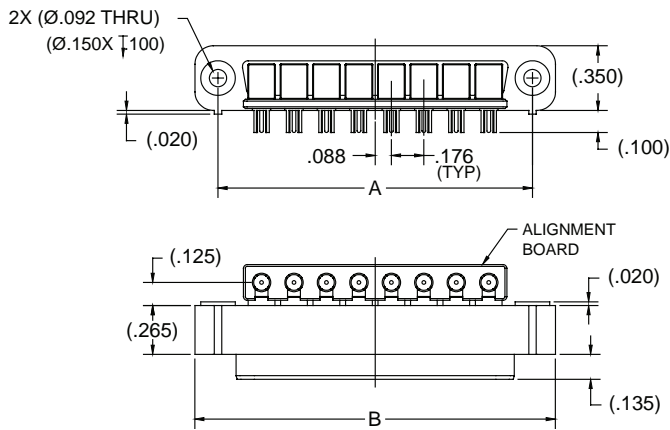
▶ CONNECTOR RECEPTACLE FOR MDCX & MDHC WITH PC-TAIL PIN CONTACTS



MDCX	MDHC	CONTACTS
017317-3003	017317-3013	2
017317-3004	017317-3014	4
017317-3006	017317-3016	6
017317-3008	017317-3018	8
017317-3010	017317-3020	10

*PC Tail Contacts included

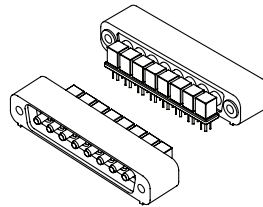
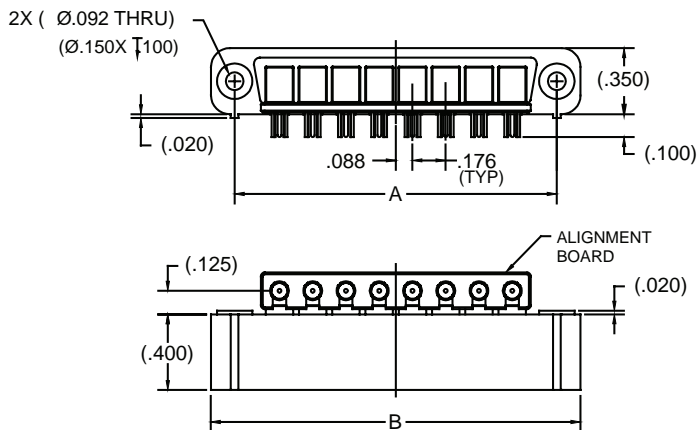
CONNECTOR PLUG WITH MDCX RIGHT ANGLE PC-TAIL COAX SOCKET CONTACT



PART NUMBER	CONTACTS
017317-1103	2
017317-1104	4
017317-1106	6
017317-1108	8
017317-1110	10

*PC Tail Contacts included

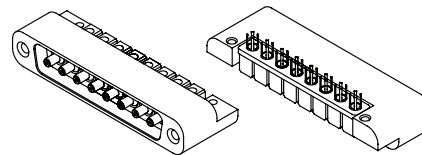
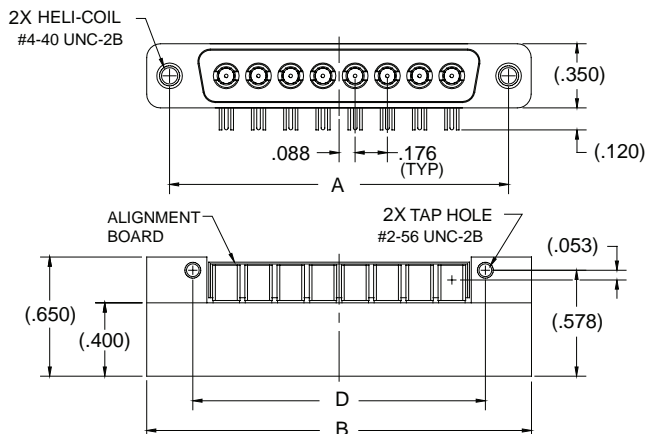
CONNECTOR RECEPTACLE WITH MDCX RIGHT ANGLE PC-TAIL COAX PIN CONTACT



PART NUMBER	CONTACTS
017317-1003	2
017317-1004	4
017317-1006	6
017317-1008	8
017317-1010	10

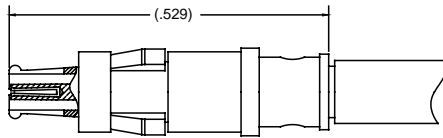
*PC Tail Contacts included

CONNECTOR RECEPTACLE WITH MDCX RIGHT ANGLE PC-TAIL COAX PIN CONTACT (w/Mounting Hardware)



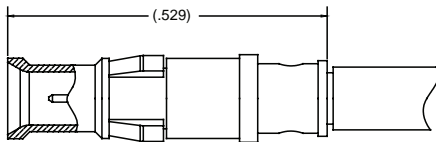
PART NUMBER	CONTACTS
017317-1203	2
017317-1204	4
017317-1206	6
017317-1208	8
017317-1210	10

▶ MDHC COAX PIN CONTACT (DC-40 GHz)



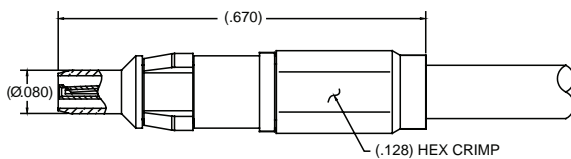
PART NUMBER	CABLE TYPE	CABLE
013209-2004	Flexible Coax	RG-405 Flex

▶ MDHC COAX SOCKET CONTACT (DC-40 GHz)



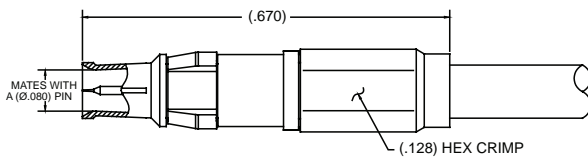
PART NUMBER	CABLE TYPE	CABLE
013109-2004	Flexible Coax	RG-405 Flex

▶ REMOVABLE MDCX COAX PIN CONTACT (DC-10 GHz)



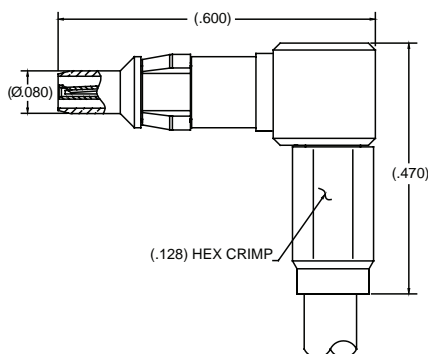
PART NUMBER	CABLE TYPE	CABLE
013214-2005	Flexible Coax	RG-178
013214-2004	Flexible Coax	RG-316
013214-2003	Flexible Coax	RG-405 Flex

▶ REMOVABLE MDCX COAX SOCKET CONTACT (DC-10 GHz)



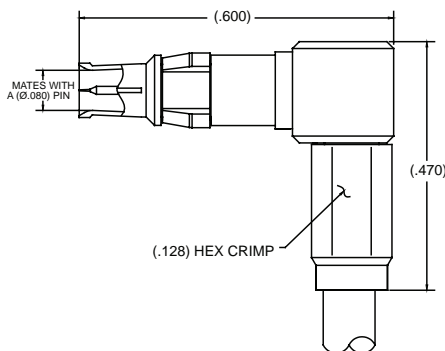
PART NUMBER	CABLE TYPE	CABLE
013114-2005	Flexible Coax	RG-178
013114-2004	Flexible Coax	RG-316
013114-2003	Flexible Coax	RG-405 Flex

▶ REMOVABLE MDCX RIGHT ANGLE COAX PIN CONTACT (DC-10 GHz)



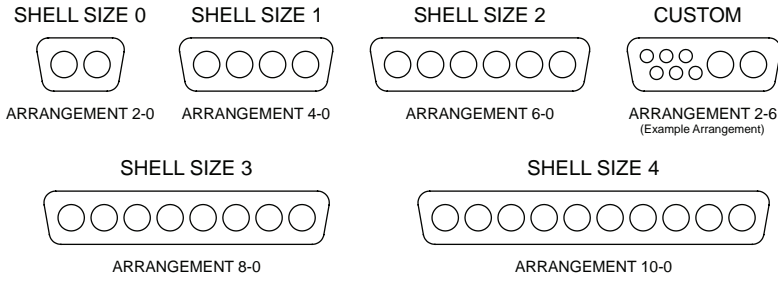
PART NUMBER	CABLE TYPE	CABLE
013214-1003	Flexible Coax	RG-178
013214-1002	Flexible Coax	RG-316
013214-1001	Flexible Coax	RG-405 Flex

▶ REMOVABLE MDCX RIGHT ANGLE COAX SOCKET CONTACT (DC-10 GHz)



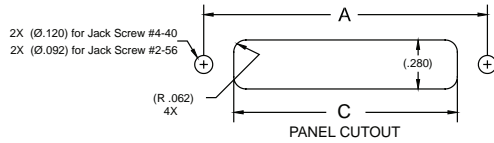
PART NUMBER	CABLE TYPE	CABLE
013114-1003	Flexible Coax	RG-178
013114-1002	Flexible Coax	RG-316
013114-1001	Flexible Coax	RG-405 Flex

INSERT ARRANGEMENTS

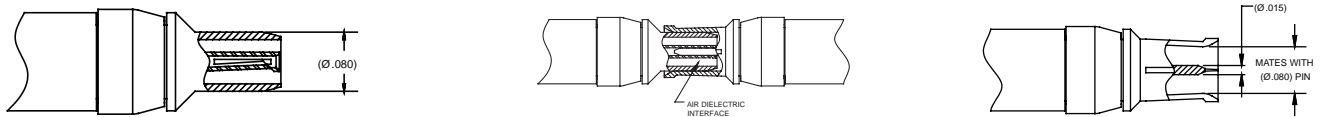


SHELL SIZE	CONTACTS	A DIM.	B DIM.	C DIM.	D DIM.
0	2	.800	1.050	.525	.600
1	4	1.150	1.400	0.875	.950
2	6	1.500	1.750	1.225	1.300
3	8	1.850	2.100	1.575	1.650
4	10	2.200	2.450	1.925	2.000

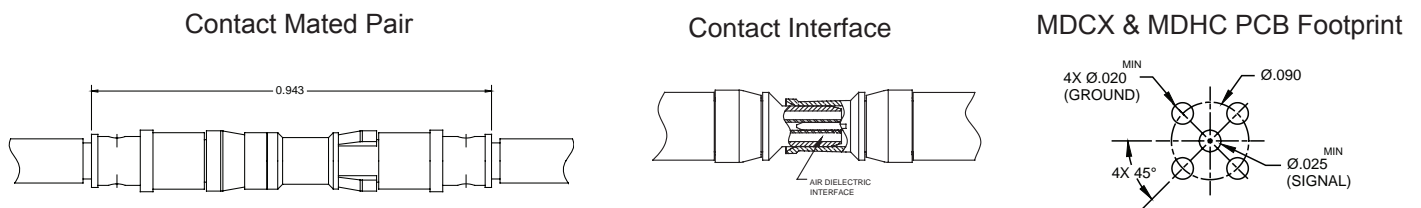
*Consult factory for Hybrid Arrangement Dimension Details



MDCX COAXIAL CONTACT INTERFACE



MDHC COAXIAL CONTACT INTERFACE



HOW TO ORDER



1 ▶ SERIES

MDCX OR **MDHC**

2 ▶ SHELL SIZE

0, 1, 2, 3, 4

3 ▶ ARRANGEMENT

4 ▶ SHELL STYLE

P PLUG

R RECEPTACLE

5 ▶ TERMINATION STYLE:

SC STRAIGHT CRIMP

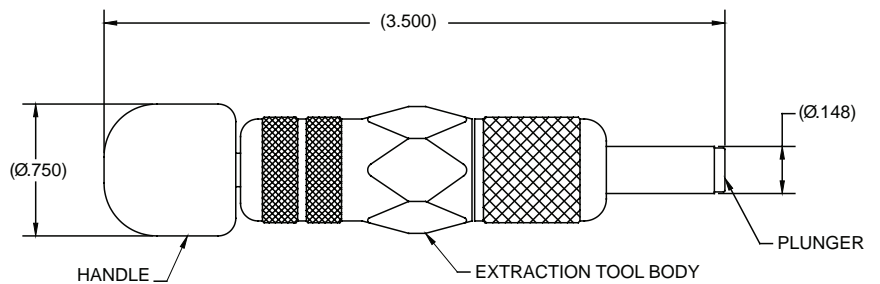
RC R/A CRIMP (MDCX ONLY)

SPC STRAIGHT PC TAIL

RPC R/A PC TAIL (MDCX ONLY)

Notes:

1. Coax contacts sold separately for crimp version.
2. Optional mounting hardware available, please specify panel thickness.
3. Removable coax contacts require removal tool SIR-029 (ordered separately).
4. Consult factory for mixed layouts.





SMITHS CONNECTORS GLOBAL SUPPORT

AMERICAS

info.us@smithsconnectors.com

Costa Mesa, CA

1.714.371.1100

Hudson, MA

1.978.568.0451

Kansas City, KS

1.913.342.5544

EUROPE

France

33.2.3296.9176

info.fr@smithsconnectors.com

Germany

49.991.250.120

info.de@smithsconnectors.com

Italy

39.10.60361

info.it@smithsconnectors.com

United Kingdom

44.208.236.2400

info.uk@smithsconnectors.com

ASIA

asiainfo@smithsconnectors.com

Shanghai, China

86.21.3318.4650

Suzhou, China

86.512.6273.1188

Singapore

65.6846.1655

visit us at | smithsconnectors.com |     