

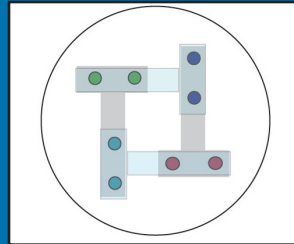
## CeeLok FAS-T Nano Circular Connector



### High Speed Performance

1 or 10 GbE rates for high-speed transmission of data, ideal for tight link budgets

T-shaped pin pattern improves signal integrity through uniform cross talk cancellation



### Space and Weight Savings

Nanominature size enables high-speed connectivity in an extremely small space envelope

Lightweight NANONICS housing available in push-pull or threaded coupling for a broad-range of applications and uses

### Versatile

Available in board-mount and cable-applied versions

### Rugged

Withstands the harsh operating environment typical of Aerospace, Defense and Marine applications

### DESCRIPTION

TE Connectivity's (TE) CeeLok FAS-T Nano Circular connector is a rugged, nano-miniature I/O connector capable of meeting 10 GbE performance. The patented, noise-cancelling contact configuration minimizes cross talk making it ideal for a variety of markets.

### APPLICATIONS

Typical applications include:

- Military Weapons
- Ground Support Systems
- Soldier Worn Applications
- Avionics
- Instrumentation
- Down-hole Telemetry Tools

### MECHANICAL

Vibration, Sine:	10-2000 Hz, 20g (EIA-364-28, Test Condition IV)
Vibration, Random:	50-2000 Hz, 46.3g (EIA-364-28, Test Condition V, Letter K)
Mating Cycles (Min):	250 Electroless Nickel plated aluminum shells
Mechanical Shock:	300g, 3ms, Half-sine (EIA364-27, Test Condition D)
Weights:	Push-pull plug with a straight backshell and 1 meter of TurboTwin cable weighs less than 13g. A PCB mount receptacle weighs less than 3g.

### ELECTRICAL

10 GbE using Madison Cable's TurboTwin cable (factory terminated)	
IR:	5000 MOhms ambient; 1000 MOhms at temperature
DWV:	500 VAC Sea Level; 100 VAC @ 70,000 feet

### ENVIRONMENTAL

Operating Temperature:	-55°C to +125°C*	
Sealing:	Immersion:	IP68, Mated
	Water Jet:	IPX6, Mated
	Dust:	IP6X, Mated

\*This is utilizing high-temp Madison TurboTwin cable.

### FOR MORE INFORMATION

#### Technical Support

Internet:	www.te.com/ADM
North America:	+1 (800) 522 6752
Asia Pacific:	+86 0 400 820 6015
Austria:	+43 1 905 601 228
Baltic Region:	+46 8 5072 5000
Benelux:	+31 73 6246 999
Czech Republic:	+420 800 701 462
France:	+33 1 34 20 86 86
Germany:	+49 6251-133 1999
Hungary:	+36 809 874 04
Italy:	+39 011-401 2632
Nordic:	+46 8 5072 5000
Poland:	+48 800 702 309
Russia:	+7495 790 790 2
Spain/Portugal:	+34 93-2910366
Switzerland:	+41 52 633 66 26
United Kingdom:	+44 800 267 666

Follow us on Twitter for all the latest product news @TEConnectivity, and on Facebook, TEConnectivity.

Connect with one of our Subject Matter Experts at [www.DesignSmarterFaster.com](http://www.DesignSmarterFaster.com)



## Introducing CeeLok FAS-T Nano Circular Connectors

The latest addition to TE's line of high speed copper I/O connectors, CeeLok FAS-T nano circular takes the noise cancellation technology of the original CeeLok FAS-T connector and re-engineers it to fit our standard NANONICS connector shell. The new connector delivers up to 10 GbE speeds in nanominature form factor, creating an industry-leading combination of high-speed, small size and low weight.

© 2014 Tyco Electronics Corporation. All Rights Reserved.

8-1773700-5 ADM/RRD 2.5M 1/2014

CeeLok FAS-T, MADISON CABLE, NANONICS, TE Connectivity and the TE connectivity (logo) are trademarks of the TE Connectivity Ltd. family of companies.

While TE has made every reasonable effort to ensure the accuracy of the information herein, nothing herein constitutes any guarantee that such information is error-free, or any other representation, warranty or guarantee that the information is accurate, correct, reliable current. The TE entity issuing this publication reserves the right to make any adjustments to the information contained herein at any time without notice. All implied warranties regarding the information contained herein, including, but not limited to, any implied warranties of merchantability or fitness for a particular purpose are expressly disclaimed. The dimensions herein are for reference purposes only and are subject to change without notice. Specifications are subject to change without notice. Consult TE for the latest dimensions and design specifications.







## CeeLok FAS-T Nano Circular Connector



## CeeLok FAS-T Nano Circular Connector

### STANDARDS & SPECIFICATIONS

Product Specification:	108-32048	Qualification Test Report:	501-134021
------------------------	-----------	----------------------------	------------

### MATERIAL

Shells:	Electroless Nickel Plated Aluminum (standard) or Passivated Stainless Steel (increased durability)
Insert:	High temperature thermoplastic for excellent temperature endurance and superior signal integrity
Contacts:	Gold plated BeCu Alloy

### PART NUMBERS

\*DRAWINGS SHOWN IN BROCHURE.

TE Part Number	Position	Description
1925248-1 *	8	Quick disconnect, metal, plug, 30 AWG 10G TurboTwin pair, 36"
1925249-1	8	Quick disconnect, metal, plug, 30 AWG 10G TurboTwin pair, 36", straight braid clamp backshell
1925250-1	8	Quick disconnect, metal, 30 AWG 10G TurboTwin pair, 36", right-angle braid clamp backshell, orientation 5
1925251-1 *	8	Threaded coupling, metal, plug, 30 AWG 10G TurboTwin pair, 36"
1925252-1 *	8	Threaded coupling, metal, plug, 30 AWG 10G TurboTwin pair, 36", straight braid clamp backshell
1925253-1	8	threaded coupling, metal, plug, 30 AWG 10G TurboTwin pair, 36", right-angle braid clamp backshell, orientation 5
1925254-1	8	Flanged coupling quick disconnect, metal, plug, 30 AWG 10G TurboTwin pair, 36"
1925255-1	8	Flanged coupling quick disconnect, metal, plug, 30 AWG 10G TurboTwin pair, 36", straight braid clamp backshell
1925256-1	8	Flanged coupling quick disconnect, metal, plug, 30 AWG 10G TurboTwin pair, 36", right angle braid clamp backshell, orientation 5
1925257-1	8	Quick disconnect, metal, receptacle, 30 AWG 10G TurboTwin pair, 36" front flush mount,
1925258-1	8	Quick disconnect, metal, receptacle, 30 AWG 10G TurboTwin pair, 36", rear panel mount
1925259-1	8	Quick disconnect, metal, receptacle, 30 AWG 10G TurboTwin pair, 36", rear panel mount, straight braid clamp backshell
1925260-1	8	Quick disconnect, metal, receptacle, 30 AWG 10G TurboTwin pair, 36", rear panel mount, right angle braid clamp backshell, orientation 5
1925261-1	8	Quick disconnect, metal, receptacle, vertical PCB mount, through-hole, 10GbE, .125" tin/lead solder dipped leads, panel mount

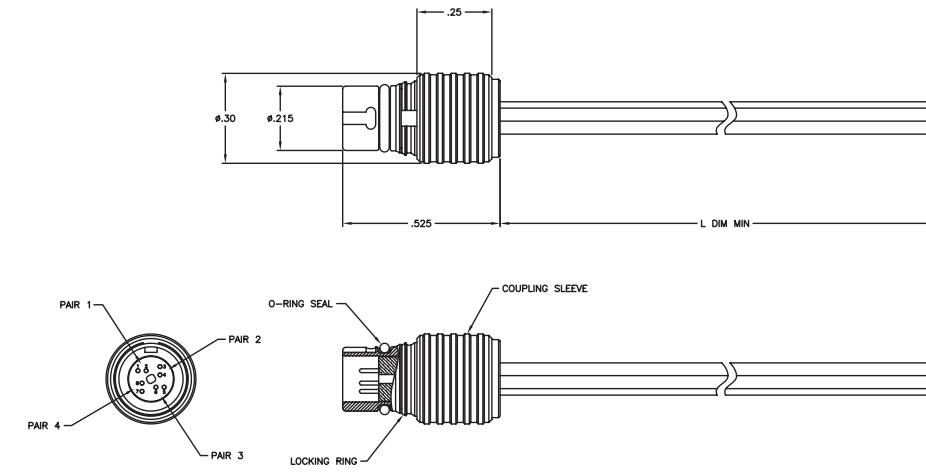
### ACCESSORIES

Straight braid-clamp style backshells as well as right-angle versions are factory installed. Right-angle backshells can be oriented in 8 different directions. See PN chart above.

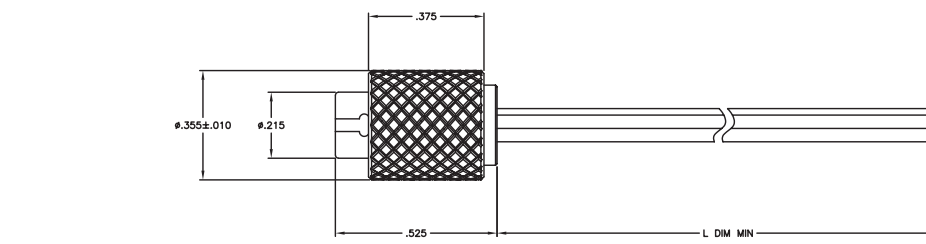
**Note: for Band straps and Molded Parts - contact TE Connectivity**

### REPRESENTATIVE DRAWINGS

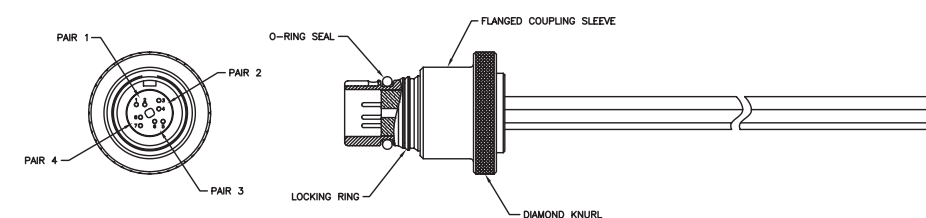
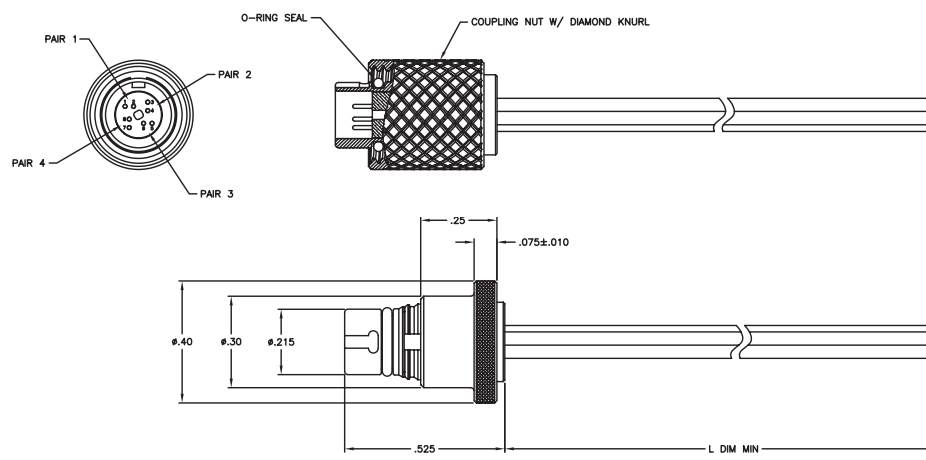
**PN 1925248-1 - Quick Disconnect Plug**



**PN 1925251-1 - Threaded Coupling Plug**

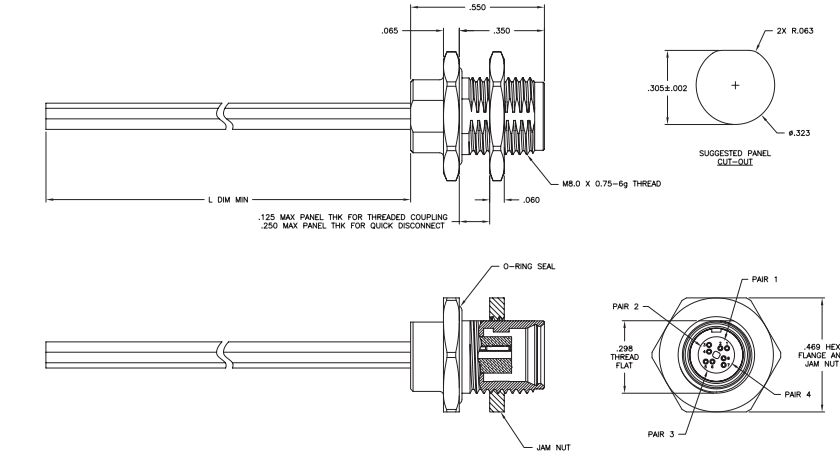


**PN 1925254-1 - Flanged Coupling Plug**

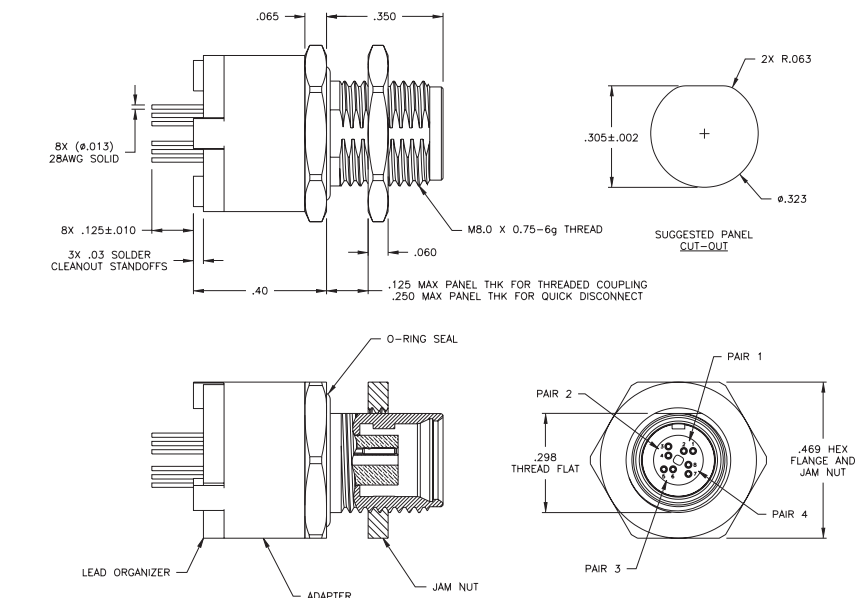


### REPRESENTATIVE DRAWINGS

**PN 1925258-1 Quick Disconnect Receptacle**



**PN 1925261-1 Quick Disconnect Vertical PCB Mount Receptacle**



**Note: Customized cable assemblies/cord sets available upon request. Contact TE Connectivity.**