

# XF3M

For FPC/FFC

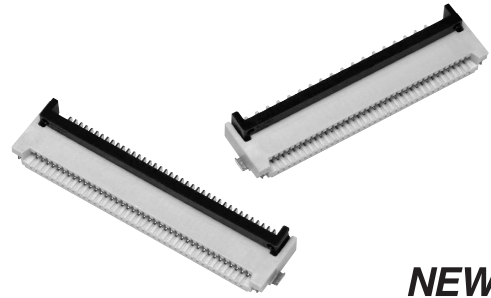
Rotary Backlock Connector (0.5-mm Pitch, 1.0-mm Pitch, Dual Contact)

## Rotary Backlock Connectors Provide Improved Insertion of FPC/FFC Cables and helps Confirm Proper Connection with a Sure Lock Feel.

- Models available with 0.5 mm or 1.0 mm pitch.
- Dual contact design reduces the number of parts in the Bill of Material.
- Applicable FPC/FFC thickness of 0.3 mm.
- Halogen Free (\*)

\* OMRON uses the following standard to determine halogen-free construction: 900 ppm max. for Br, 900 ppm max. for Cl, and 1,500 ppm max. for Br+Cl.

RoHS compliant



**NEW**

### ■ Ratings and Specifications

Rated current	0.5 A AC/DC
Rated voltage	50 V AC/DC
Contact resistance	50 mΩ max. (at 20 mV DC max., 100 mA max.)
Insulation resistance	100 MΩ min. (at 250 V DC)
Dielectric strength	250 V AC for 1 min. (leakage current: 1 mA max.)
Insertion durability	20 times
Ambient operating temperature	-30 to 85 °C (With no icing or condensation)

### ■ Materials and Finish

Housing	LCP resin (UL94V-0)/natural
Slider	LCP resin (UL94V-0)/black
Contacts	Spring copper alloy/nickel substrate (1.5 μm) Gold-plated contacts (flash)
Hold-down	Copper alloy/fused-tin plating (1 μm)

### ■ Dimensions

#### XF3M-□□15-1B (0.5mm pitch)

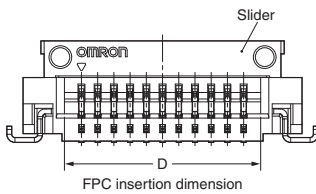
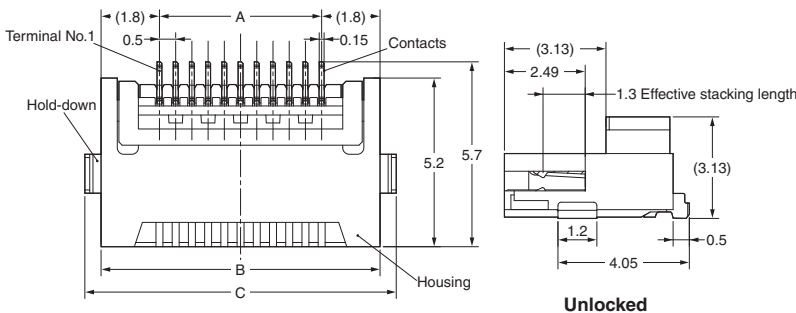
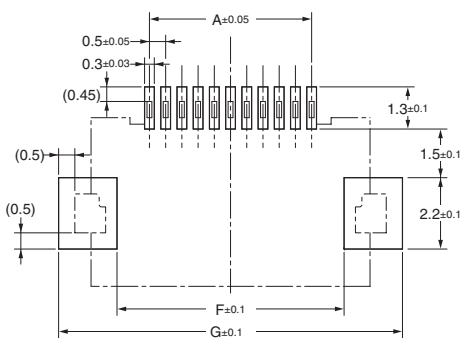


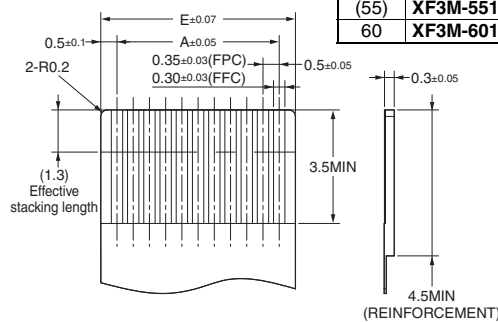
Table of Dimensions

Pins <sup>1</sup>	Model	A	B	C	D	E	F	G
(4)	XF3M-0415-1B	1.5	5.1	6.1	2.55	2.5	3.5	7.1
(6)	XF3M-0615-1B	2.5	6.1	7.1	3.55	3.5	4.5	8.1
(8)	XF3M-0815-1B	3.5	7.1	8.1	4.55	4.5	5.5	9.1
9	XF3M-0915-1B	4.0	7.6	8.6	5.05	5.0	6.0	9.6
10	XF3M-1015-1B	4.5	8.1	9.1	5.55	5.5	6.5	10.1
11	XF3M-1115-1B	5.0	8.6	9.6	6.05	6.0	7.0	10.6
12	XF3M-1215-1B	5.5	9.1	10.1	6.55	6.5	7.5	11.1
13	XF3M-1315-1B	6.0	9.6	10.6	7.05	7.0	8.0	11.6
14	XF3M-1415-1B	6.5	10.1	11.1	7.55	7.5	8.5	12.1
16	XF3M-1615-1B	7.5	11.1	12.1	8.55	8.5	9.5	13.1
(18)	XF3M-1815-1B	8.5	12.1	13.1	9.55	9.5	10.5	14.1
20	XF3M-2015-1B	9.5	13.1	14.1	10.55	10.5	11.5	15.1
(22)	XF3M-2215-1B	10.5	14.1	15.1	11.55	11.5	12.5	16.1
24	XF3M-2415-1B	11.5	15.1	16.1	12.55	12.5	13.5	17.1
25	XF3M-2515-1B	12.0	15.6	16.6	13.05	13.0	14.0	17.6
(26)	XF3M-2615-1B	12.5	16.1	17.1	13.55	13.5	14.5	18.1
30	XF3M-3015-1B	14.5	18.1	19.1	15.55	15.5	16.5	20.1
31	XF3M-3115-1B	15.0	18.6	19.6	16.05	16.0	17.0	20.6
(32)	XF3M-3215-1B	15.5	19.1	20.1	16.55	16.5	17.5	21.1
(33)	XF3M-3315-1B	16.0	19.6	20.6	17.05	17.0	18.0	21.6
34	XF3M-3415-1B	16.5	20.1	21.1	17.55	17.5	18.5	22.1
(35)	XF3M-3515-1B	17.0	20.6	21.6	18.05	18.0	19.0	22.6
(36)	XF3M-3615-1B	17.5	21.1	22.1	18.55	18.5	19.5	23.1
(38)	XF3M-3815-1B	18.5	22.1	23.1	19.55	19.5	20.5	24.1
40	XF3M-4015-1B	19.5	23.1	24.1	20.55	20.5	21.5	25.1
41	XF3M-4115-1B	20.0	23.6	24.6	21.05	21.0	22.0	25.6
(42)	XF3M-4215-1B	20.5	24.1	25.1	21.55	21.5	22.5	26.1
45	XF3M-4515-1B	22.0	25.6	26.6	23.05	23.0	24.0	27.6
50	XF3M-5015-1B	24.5	28.1	29.1	25.55	25.5	26.5	30.1
(55)	XF3M-5515-1B	27.0	30.6	31.6	28.05	28.0	29.0	32.6
60	XF3M-6015-1B	29.5	33.1	34.1	30.55	30.5	31.5	35.1

PCB Dimensions (TOP VIEW)



Recommended FPC/FFC Dimensions



# XF3M

## Rotary Backlock Connector (0.5-mm Pitch, 1.0-mm Pitch, Dual Contact)

### XF3M(1)-□□15-1B (1.0 mm pitch)

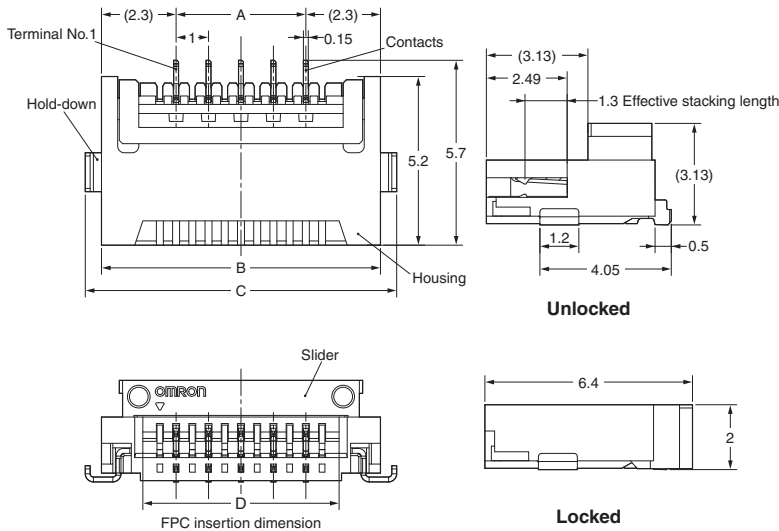
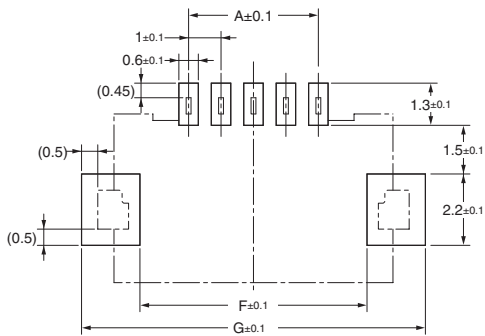


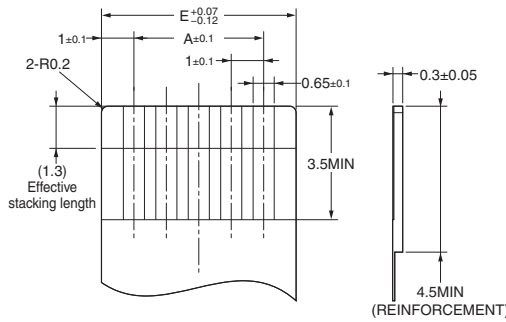
Table of Dimensions

Pins <sup>*1</sup>	Model	A	B	C	D	E	F	G
4	XF3M(1)-0415-1B	3.0	7.6	8.6	5.05	5.0	6.0	9.6
5	XF3M(1)-0515-1B	4.0	8.6	9.6	6.05	6.0	7.0	10.6
6	XF3M(1)-0615-1B	5.0	9.6	10.6	7.05	7.0	8.0	11.6
(7)	XF3M(1)-0715-1B	6.0	10.6	11.6	8.05	8.0	9.0	12.6
(8)	XF3M(1)-0815-1B	7.0	11.6	12.6	9.05	9.0	10.0	13.6
(9)	XF3M(1)-0915-1B	8.0	12.6	13.6	10.05	10.0	11.0	14.6
(10)	XF3M(1)-1015-1B	9.0	13.6	14.6	11.05	11.0	12.0	15.6
12	XF3M(1)-1215-1B	11.0	15.6	16.6	13.05	13.0	14.0	17.6
15	XF3M(1)-1515-1B	14.0	18.6	19.6	16.05	16.0	17.0	20.6
(16)	XF3M(1)-1615-1B	15.0	19.6	20.6	17.05	17.0	18.0	21.6
(17)	XF3M(1)-1715-1B	16.0	20.6	21.6	18.05	18.0	19.0	22.6
18	XF3M(1)-1815-1B	17.0	21.6	22.6	19.05	19.0	20.0	23.6
20	XF3M(1)-2015-1B	19.0	23.6	24.6	21.05	21.0	22.0	25.6
22	XF3M(1)-2215-1B	21.0	25.6	26.6	23.05	23.0	24.0	27.6
30	XF3M(1)-3015-1B	29.0	33.6	34.6	31.05	31.0	32.0	35.6

PCB Dimensions (TOP VIEW)



Recommended FPC/FFC Dimensions



### Ordering Information

- 0.5 mm pitch
- 1500pcs per reel

Pins <sup>*1</sup>	Model	Pins <sup>*1</sup>	Model	Pins <sup>*1</sup>	Model	Pins <sup>*1</sup>	Model	Quantity per reel (unit) <sup>*2</sup>
(4)	XF3M-0415-1B	14	XF3M-1415-1B	30	XF3M-3015-1B	40	XF3M-4015-1B	1,500
(6)	XF3M-0615-1B	16	XF3M-1615-1B	31	XF3M-3115-1B	41	XF3M-4115-1B	
(8)	XF3M-0815-1B	(18)	XF3M-1815-1B	(32)	XF3M-3215-1B	(42)	XF3M-4215-1B	
9	XF3M-0915-1B	20	XF3M-2015-1B	(33)	XF3M-3315-1B	45	XF3M-4515-1B	
10	XF3M-1015-1B	(22)	XF3M-2215-1B	34	XF3M-3415-1B	50	XF3M-5015-1B	
11	XF3M-1115-1B	24	XF3M-2415-1B	(35)	XF3M-3515-1B	(55)	XF3M-5515-1B	
12	XF3M-1215-1B	25	XF3M-2515-1B	(36)	XF3M-3615-1B	60	XF3M-6015-1B	
13	XF3M-1315-1B	(26)	XF3M-2615-1B	(38)	XF3M-3815-1B			

- 100pcs per reel

Pins <sup>*1</sup>	Model	Pins <sup>*1</sup>	Model	Pins <sup>*1</sup>	Model	Pins <sup>*1</sup>	Model	Quantity per reel (unit) <sup>*2</sup>
(4)	XF3M-0415-1B-R100	14	XF3M-1415-1B-R100	30	XF3M-3015-1B-R100	40	XF3M-4015-1B-R100	100
(6)	XF3M-0615-1B-R100	16	XF3M-1615-1B-R100	31	XF3M-3115-1B-R100	41	XF3M-4115-1B-R100	
(8)	XF3M-0815-1B-R100	(18)	XF3M-1815-1B-R100	(32)	XF3M-3215-1B-R100	(42)	XF3M-4215-1B-R100	
9	XF3M-0915-1B-R100	20	XF3M-2015-1B-R100	(33)	XF3M-3315-1B-R100	45	XF3M-4515-1B-R100	
10	XF3M-1015-1B-R100	(22)	XF3M-2215-1B-R100	34	XF3M-3415-1B-R100	50	XF3M-5015-1B-R100	
11	XF3M-1115-1B-R100	24	XF3M-2415-1B-R100	(35)	XF3M-3515-1B-R100	(55)	XF3M-5515-1B-R100	
12	XF3M-1215-1B-R100	25	XF3M-2515-1B-R100	(36)	XF3M-3615-1B-R100	60	XF3M-6015-1B-R100	
13	XF3M-1315-1B-R100	(26)	XF3M-2615-1B-R100	(38)	XF3M-3815-1B-R100			

- 1.0 mm pitch
- 1500pcs per reel

Pins <sup>*1</sup>	Model	Pins <sup>*1</sup>	Model	Pins <sup>*1</sup>	Model	Pins <sup>*1</sup>	Model	Quantity per reel (unit) <sup>*2</sup>
4	XF3M(1)-0415-1B	(8)	XF3M(1)-0815-1B	15	XF3M(1)-1515-1B	20	XF3M(1)-2015-1B	1,500
5	XF3M(1)-0515-1B	(9)	XF3M(1)-0915-1B	(16)	XF3M(1)-1615-1B	22	XF3M(1)-2215-1B	
6	XF3M(1)-0615-1B	(10)	XF3M(1)-1015-1B	(17)	XF3M(1)-1715-1B	30	XF3M(1)-3015-1B	
(7)	XF3M(1)-0715-1B	12	XF3M(1)-1215-1B	18	XF3M(1)-1815-1B			

- 100pcs per reel

Pins <sup>*1</sup>	Model	Pins <sup>*1</sup>	Model	Pins <sup>*1</sup>	Model	Pins <sup>*1</sup>	Model	Quantity per reel (unit) <sup>*2</sup>
4	XF3M(1)-0415-1B-R100	(8)	XF3M(1)-0815-1B-R100	15	XF3M(1)-1515-1B-R100	20	XF3M(1)-2015-1B-R100	100
5	XF3M(1)-0515-1B-R100	(9)	XF3M(1)-0915-1B-R100	(16)	XF3M(1)-1615-1B-R100	22	XF3M(1)-2215-1B-R100	
6	XF3M(1)-0615-1B-R100	(10)	XF3M(1)-1015-1B-R100	(17)	XF3M(1)-1715-1B-R100	30	XF3M(1)-3015-1B-R100	
(7)	XF3M(1)-0715-1B-R100	12	XF3M(1)-1215-1B-R100	18	XF3M(1)-1815-1B-R100			

\*1. Please consult your OMRON representative for available pin count.  
 \*2. Please order by integer multiple of the quantity per reel.